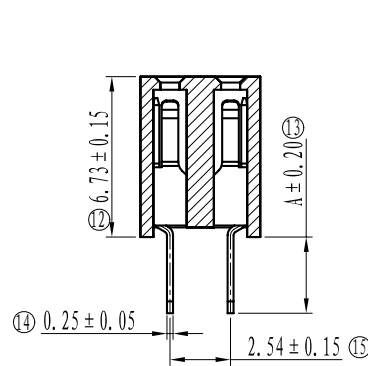


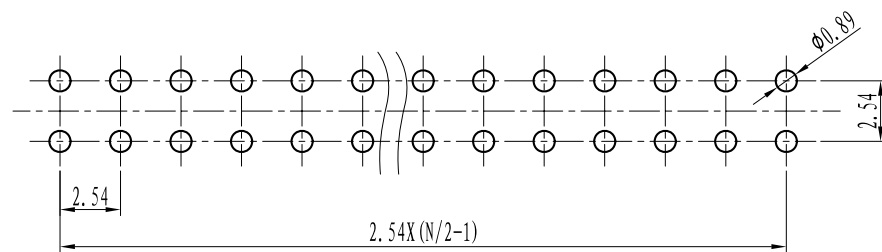
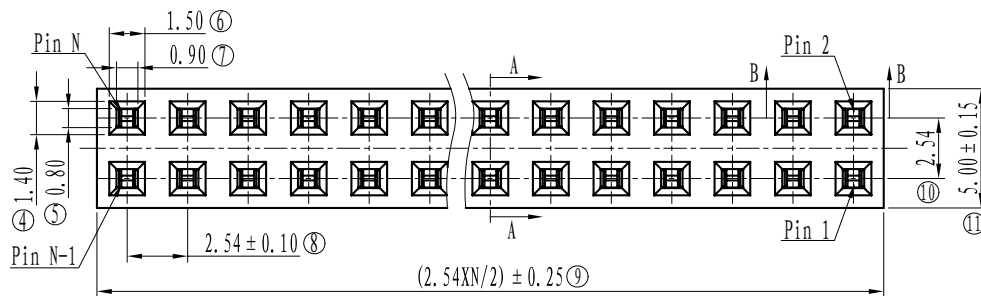
SECTION B-B



SECTION A-A

Performance characteristics:

- Main body part material
Insulator: LCP Black UL94V-0
Contact terminal: Phosphor bronze, 1.27 μm Ni under plated,
Outer plating see part number rule
- Electrical requirements:
Current rating: 3 A
Contact resistance: < 20 mΩ
Insulation resistance: > 5000 MΩ
Withstanding voltage: 1000 Vr.m.s, 1mA, 60s
- Mechanical requirements
Insertion force: < 1.8N/pin
Extraction force: > 0.3N/pin
Mechanical life: 100 cycles
- Environment specification
Working temperature: -55°C ~ +125°C
Humidity: < 93% at 40°C
Resistance to soldering heat: 265°C ± 5°C, 10s
- Packing & storing
Method of packing: Tray, outer box
Storing condition: temperature of -10°C ~ +40°C
below 80% relative humidity
- Style of installation: solder pcb installation
- To prevent the pollution of the environment product info
RoHS agreement: In line with the european union RoHS.



Recommended PCB LAYOUT
(PCB TOLERANCE ± 0.05)

1267 - XX X - 2 X - 3

Series No.	Terminal number	Spec code	Spec code	Plating code	Insulator material & color
	Double row 06~32	Code Definition	Code Definition	Code Definition	Code Definition
	(8)	2 A 3.20	2 Double row spring plate	6 Au 0.25 μm Sn 7 Au 0.38 μm Sn 9 Au 0.076 μm Gold flash (8)	3 LCP BLACK UL94V-0

④	2	25093	Tim Lv	2015.05.13
Mark	NO.	File NO.	Signature	Date
DRAW	Tim Lv 2012.10.25			
CHK				
MAN				
STD				
APP				

2.54mm receptacle double row
straight socket

1267-XXX-2X-3

SL0.1267.100			
Projection	Rev.	Weight	Scale
	A1		
All Dimensions in mm		Sheet 1 of 1	
SHINNING SHENZHEN SHINNING ELECTRONIC CO.,LTD.			

Unless otherwise specified tolerance:

X.	± 0.50	X.°	± 3°
.X	± 0.38	.X°	± 2°
.XX	± 0.25		