

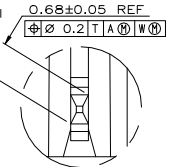
REVISIONS

F	LN	DESCRIPTION	DATE	BY	APP
D		REVISED PER ECO-20-013368	27SEP2020	RZ	HL

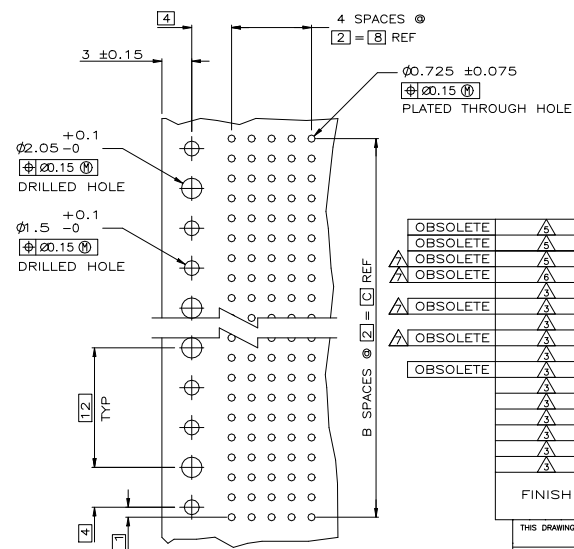
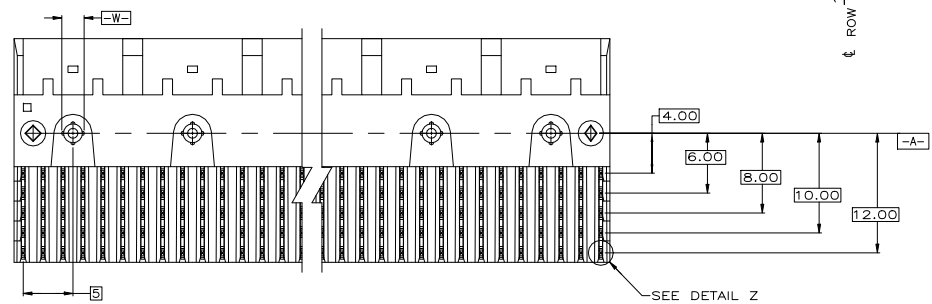
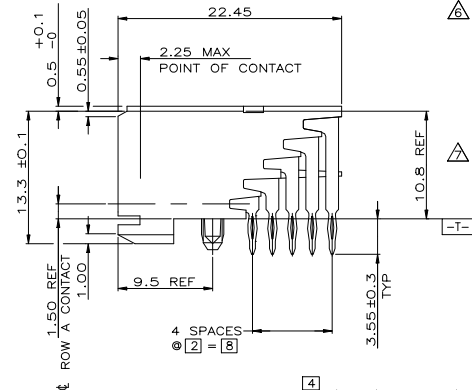
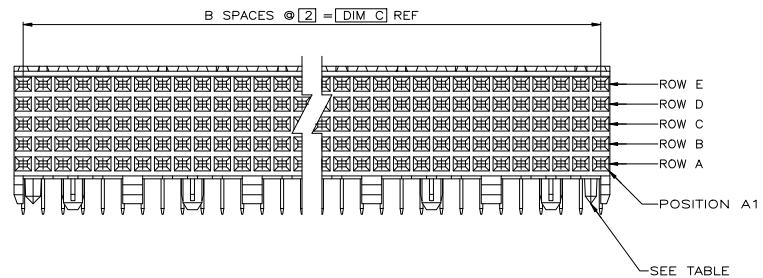
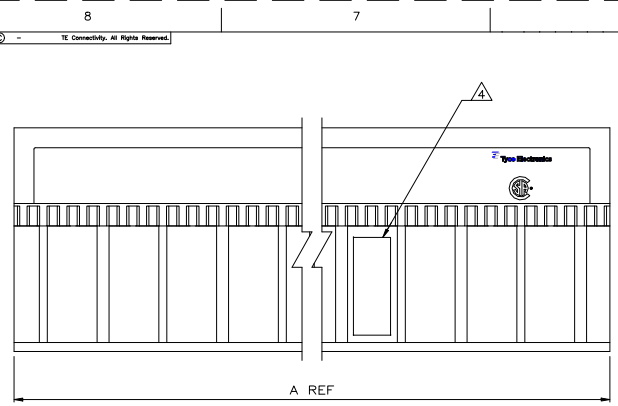
- △ HOUSING MATERIAL: LIQUID CRYSTAL POLYMER
COLOR: NATURAL.
- △ CONTACT MATERIAL: PHOSPHOR-BRONZE.
- △ CONTACT FINISH:
UNDERPLATE (ENTIRE CONTACT):
0.00127 MIN NICKEL PER SAE-AMS-QQ-N-290
ON MATING SURFACES:
CONFORMS TO ALL TESTING SPECIFIED FOR TELCORDIA
UNCONTROLLED ENVIRONMENT.
ON LEADS:
0.0006 MIN MATTE TIN PER ASTM B 545 OVER UNDERPLATE.
LUBRICATION (MIN MATING SURFACES):
SURFACE CONDITIONER AFTER PLATING.
- △ PART MARKING LOCATED APPROXIMATELY AS SHOWN.
- △ CONTACT FINISH:
UNDERPLATE (ENTIRE CONTACT):
0.00127 MIN NICKEL PER SAE-AMS-QQ-N-290
ON MATING SURFACES:
0.00076 MIN NICKEL OR COBALT HARDENED GOLD
PER ASTM B-488 OVER UNDERPLATE.
ON LEADS:
0.0006 MIN MATTE TIN PER ASTM B 545 OVER UNDERPLATE.
LUBRICATION (MIN MATING SURFACES):
SURFACE CONDITIONER AFTER PLATING.

- △ CONTACT FINISH:
UNDERPLATE (ENTIRE CONTACT):
0.00127 MIN NICKEL PER SAE-AMS-QQ-N-290
ON MATING SURFACES:
0.00127 MIN NICKEL OR COBALT HARDENED GOLD
PER ASTM B-488 OVER UNDERPLATE.
ON LEADS:
0.0006 MIN MATTE TIN PER ASTM B 545 OVER UNDERPLATE.
LUBRICATION (MIN MATING SURFACES):
SURFACE CONDITIONER AFTER PLATING.

△ OBSOLETE PARTS: OBSOLETE CIS STREAMLINING PER D.RENAUD/D.SINISI



DETAIL Z
SCALE 20:1



FINISH	POSITIONING PEGS	C	B	A	NO OF SIGNAL POSN	PART NUMBER
△ OBSOLETE	NO	22	11	23.88	60	3-5223008-2
△ OBSOLETE	YES	10	5	11.88	30	3-5223008-1
△ OBSOLETE	NO	46	23	47.88	120	3-5223008-4
△ OBSOLETE	NO	46	23	47.88	120	2-5223008-4
△ OBSOLETE	NO	214	107	215.88	540	1-5223008-2
△ OBSOLETE	NO	130	65	131.88	330	1-5223008-1
△ OBSOLETE	NO	118	59	119.88	300	1-5223008-0
△ OBSOLETE	NO	106	53	107.88	270	5223008-9
△ OBSOLETE	NO	94	47	95.88	240	5223008-8
△ OBSOLETE	NO	82	41	83.88	210	5223008-7
△	NO	70	35	71.88	180	5223008-6
△	NO	58	29	59.88	150	5223008-5
△	NO	46	23	47.88	120	5223008-4
△	NO	34	17	35.88	90	5223008-3
△	NO	22	11	23.88	60	5223008-2
△	YES	10	5	11.88	30	5223008-1

RECOMMENDED CIRCUIT PATTERN
PER IPC-D300 TYPE II, CLASS C
(COMPONENT SIDE)

THIS DRAWING IS A CONTROLLED DOCUMENT. **STE** TE Connectivity

DESIGNER: B.MCMMASTER 22NOV04
DRAWN: R.WERTZ 22NOV04
CHECKED: R.WERTZ 22NOV04
DATE: 22NOV04

ASSEMBLY, RECEPTACLE, SIGNAL, RIGHT ANGLE,
Z-PACK 2mm FB, 5 ROW, PRESS FIT LEAD

APPLICATION SPEC:
MATERIAL:
WEIGHT: 0.000000
CUSTOMER DRAWING: A100779
SCALE: 4:1
SHEET: 1 OF 1
REV: D