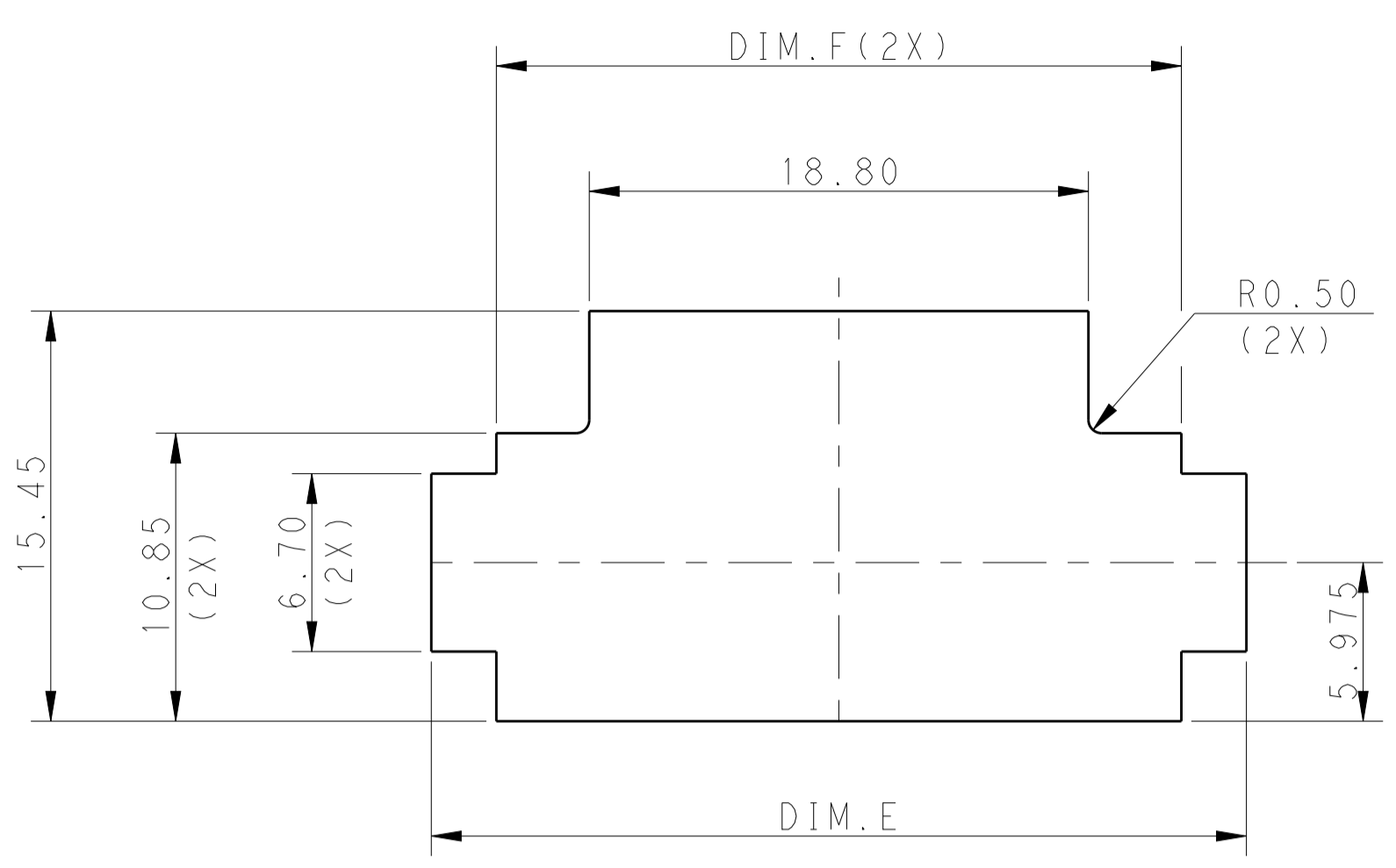
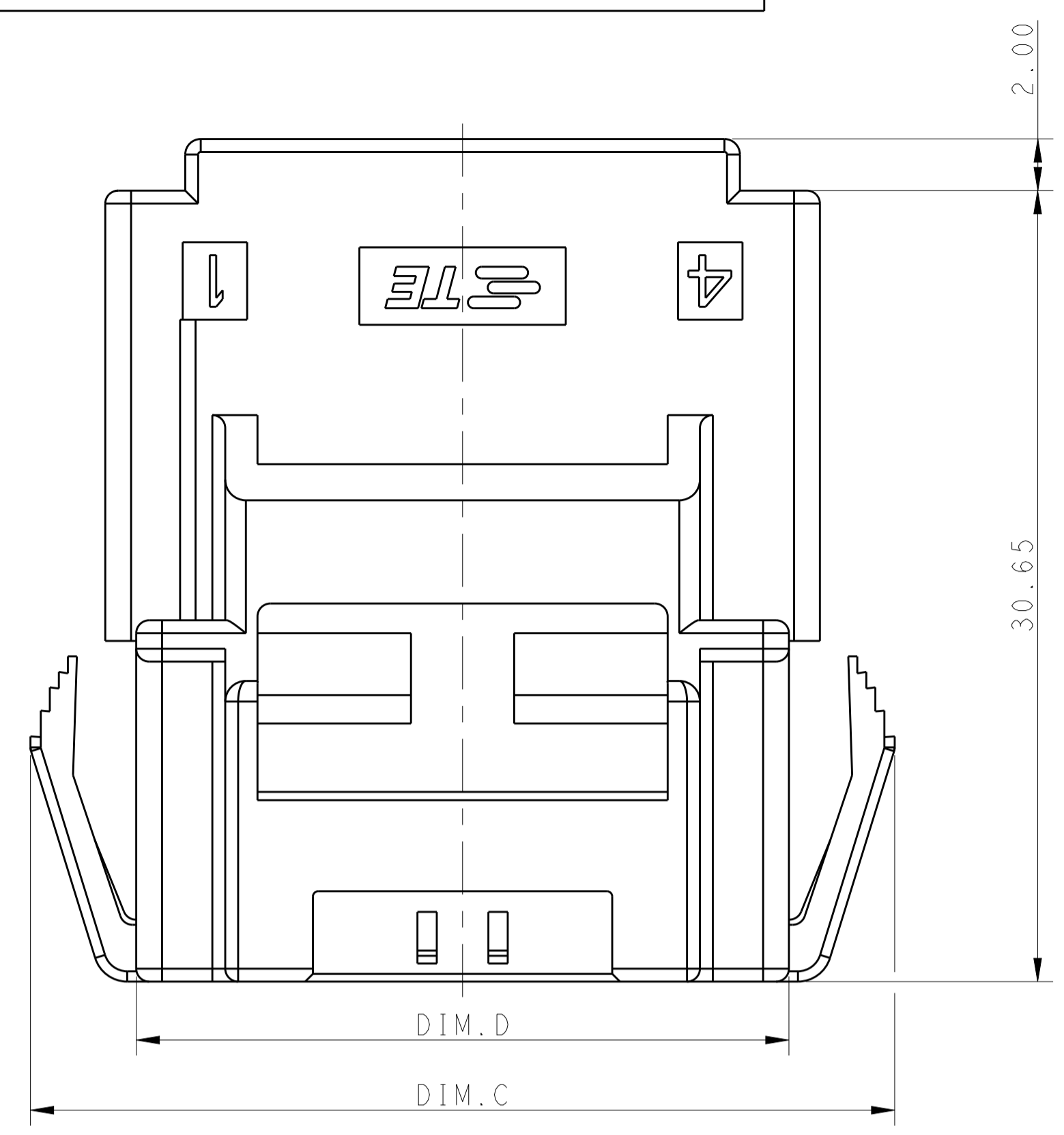


| REVISIONS |      |                           |           |      |       |
|-----------|------|---------------------------|-----------|------|-------|
| P.        | LTN. | DESCRIPTION               | DATE      | DWN. | APVD. |
| C         |      | REVISED PER ECR-16-003314 | 18JUL2016 | BW   | GJ    |
| D         |      | REVISED PER ECR-20-005605 | 21APR2020 | BKW  | DS    |
| E         |      | REVISED PER ECR-20-100301 | 25AUG2020 | BDA  | SW    |



△ MATERIAL:  
 LEVEL A: PA6 GLASS FILLED, COMPLY WITH GLOW WIRE REQUIREMENTS FOR PARTS OF NON-METALLIC MATERIAL SUPPORTING A CURRENT-CARRYING CONNECTION DETAILED IN IEC 60335-1, SECTION 30 (GWT), UL 94V-0  
 LEVEL B: PBT GLASS FILLED, HOT WIRE IGNITION (HWI) VERSION ARE MOLDED IN A RESIN THAT COMPLIES WITH TE HOT WIRE IGNITION TEST 109-32026 AND ARE RECOMMENDED FOR USE WITH HWI HOUSINGS THAT ALSO COMPLY, UL 94V-0

△ MATERIAL MARK:  
 LEVEL A: GWT, LEVEL B: HWT

3 APPLICABLE CONTACT P/N  
 TAB CONTACT: 1971238/1971780/1971782/1971784/1971786/1971788-\*, 2238067-\*

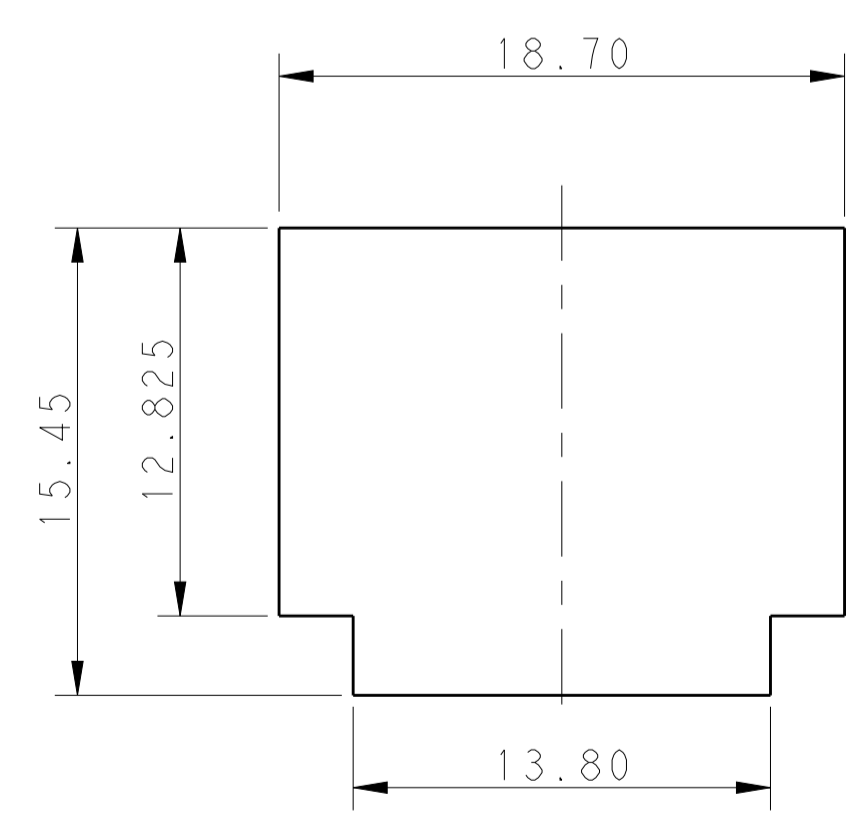
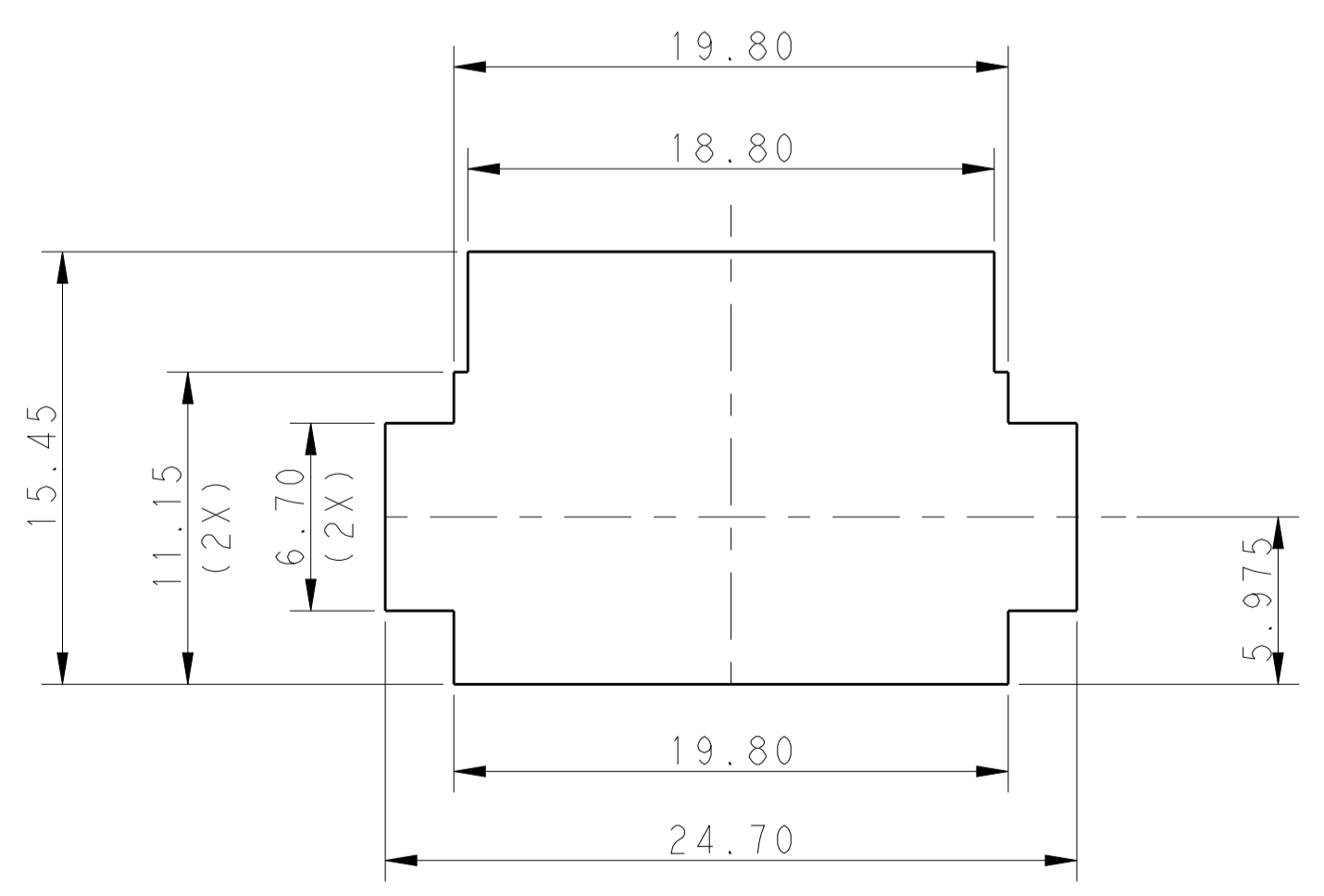
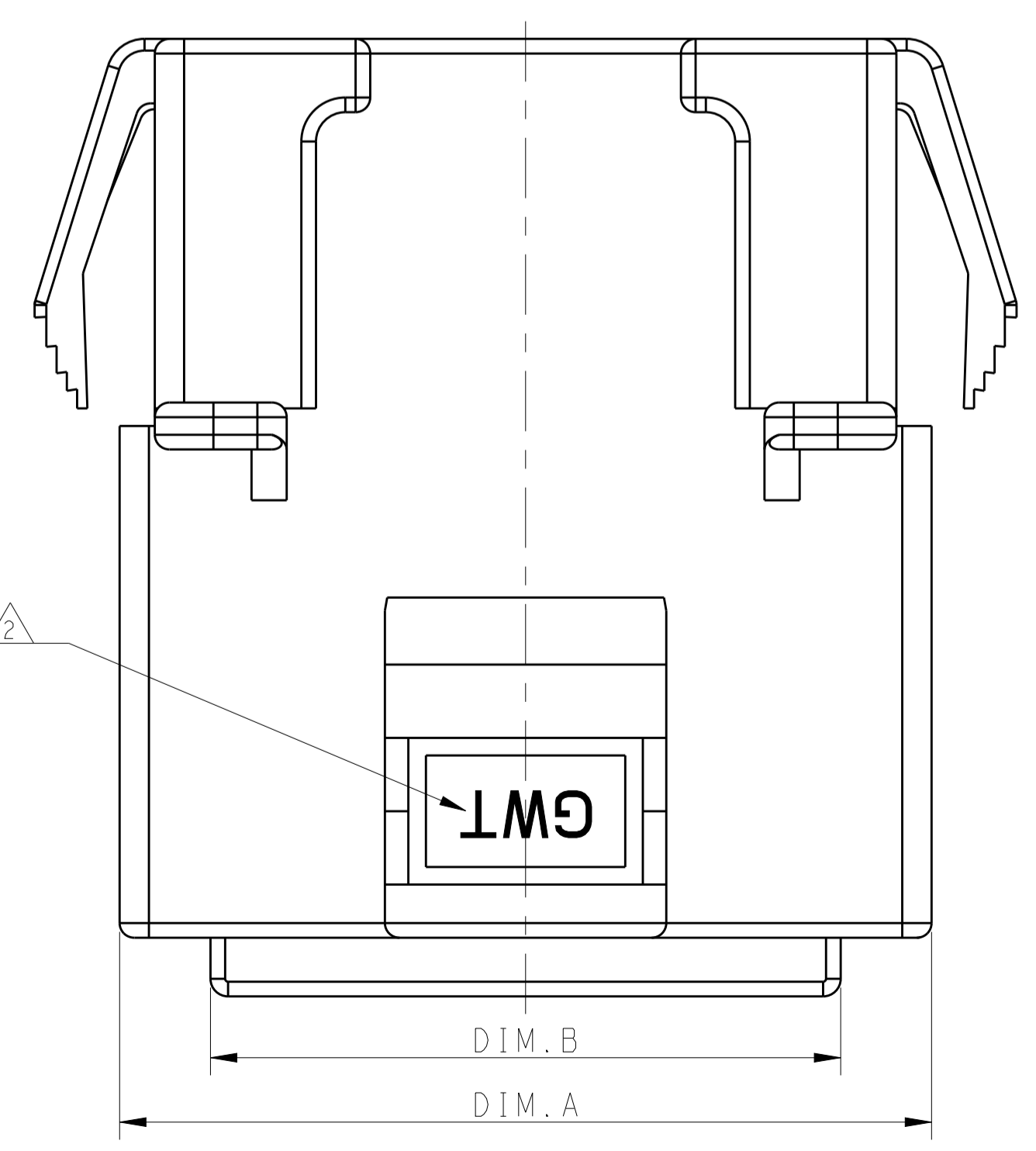
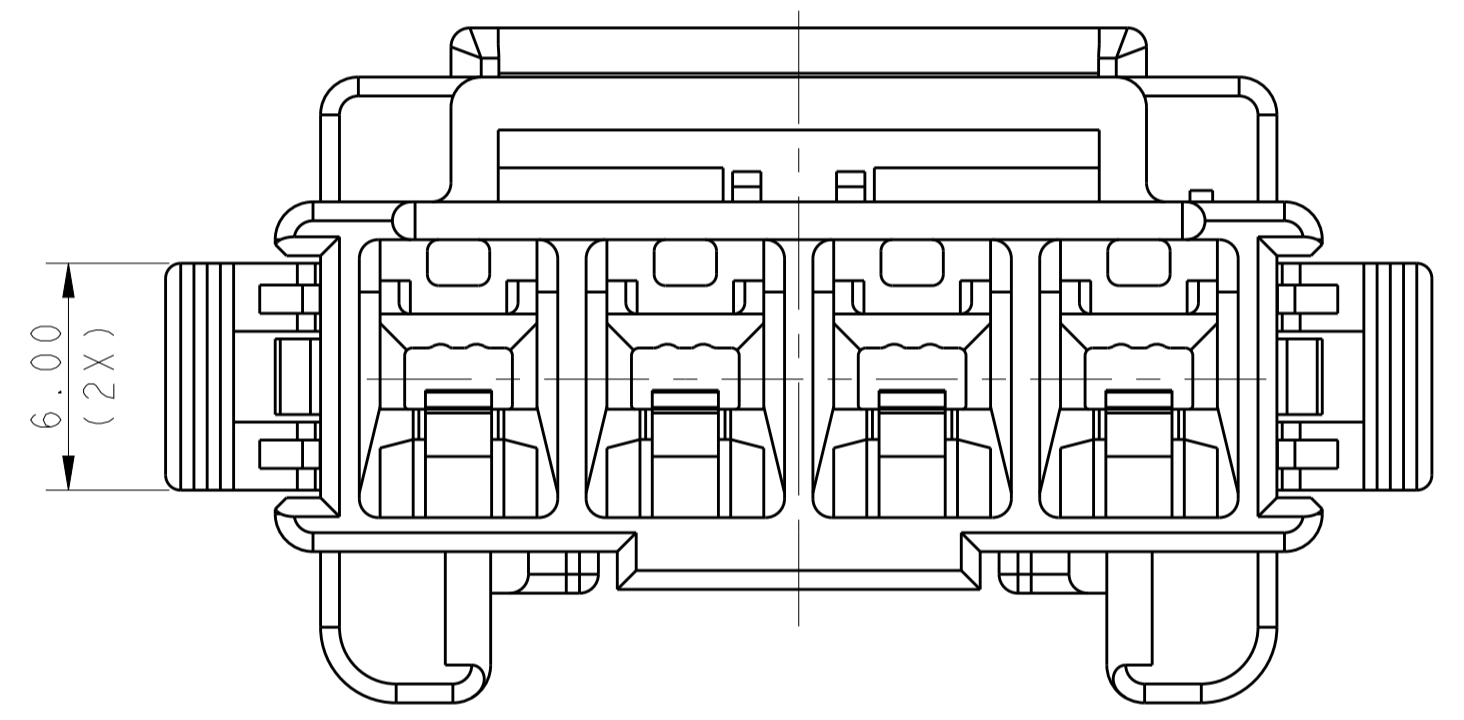
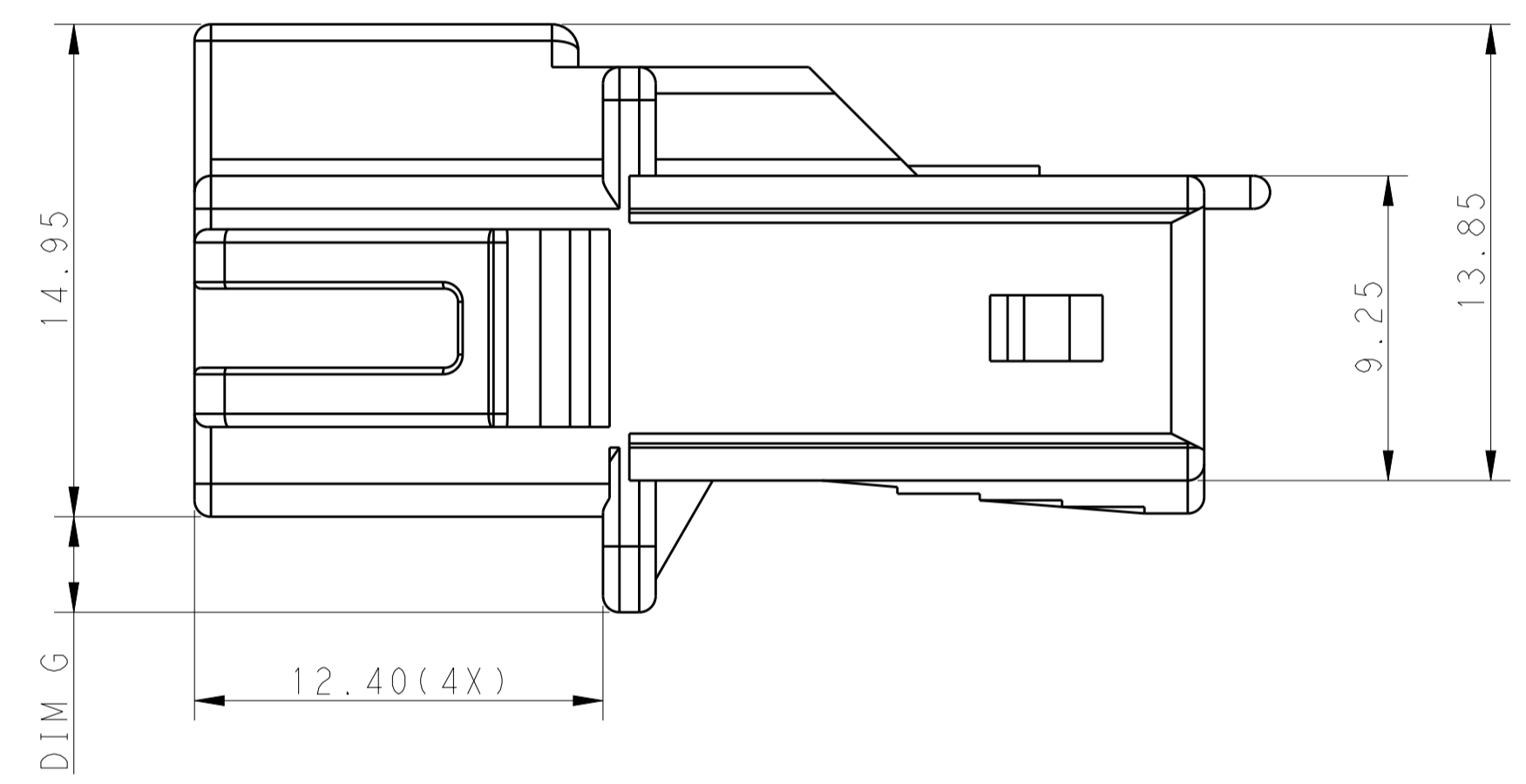
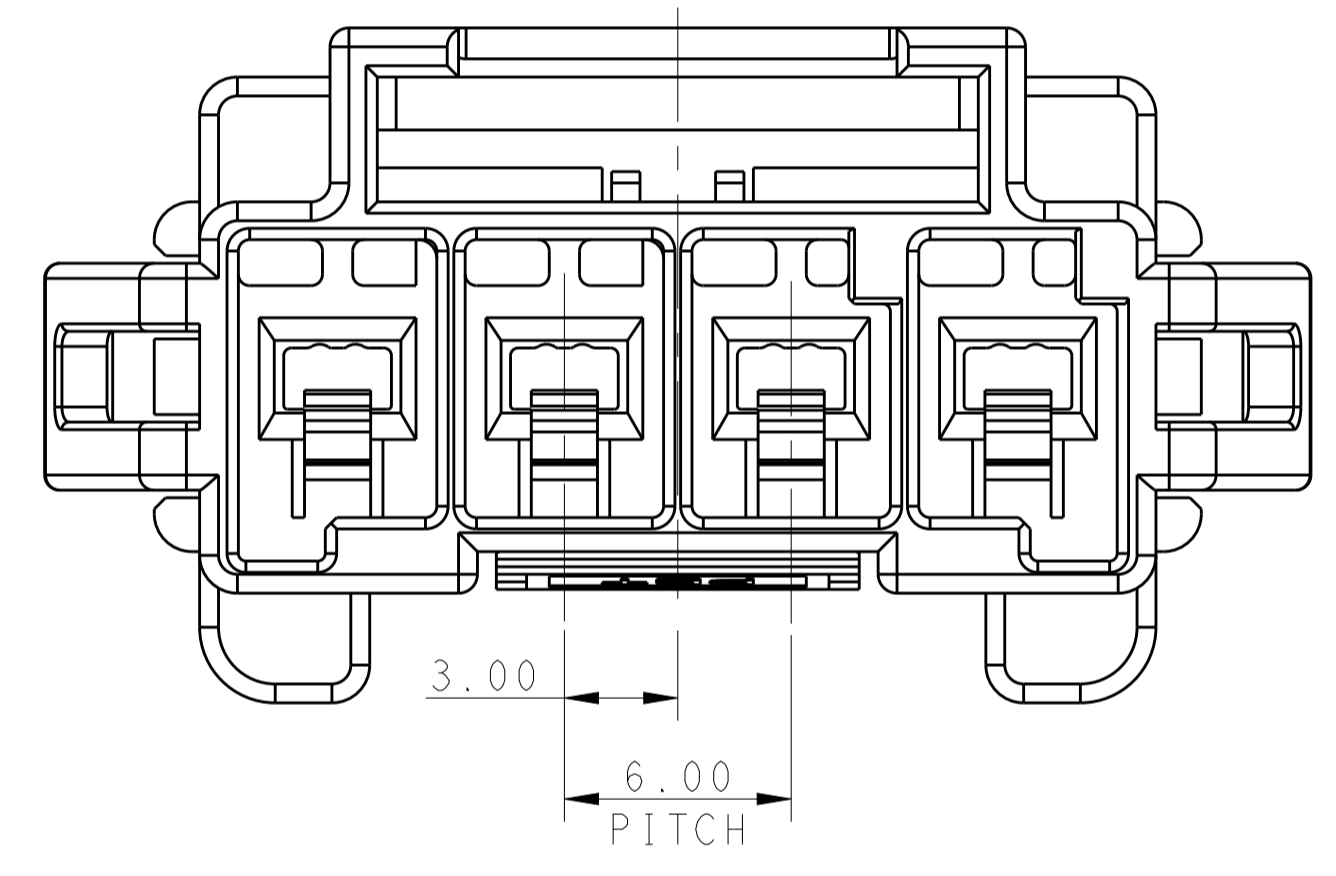
4 MATING CONN, P/N  
 PLUG HSG: \*-2232265-  
 TPA (LOCK PLATE): \*-1971777-\*

5 RECOMMENDED PANEL THICKNESS: 1.0~2.0mm

6 LEVEL A MATERIAL IS SHOWN IN ALL VIEWS EXCEPT WHERE INDICATED BY NOTE 7.

△ LEVEL B MATERIAL, KEY A AND B ONLY, THESE END KEYS ARE RECESSED.

RECOMMENDED PANEL OPENING DIMENSIONS FOR CAP HOUSING 1\*5 AND 1\*4 POSITIONS (TOLERANCE: ±0.15mm)



RECOMMENDED PANEL OPENING DIMENSIONS FOR CAP HOUSING 1\*3 POSITION (TOLERANCE: ±0.15mm)

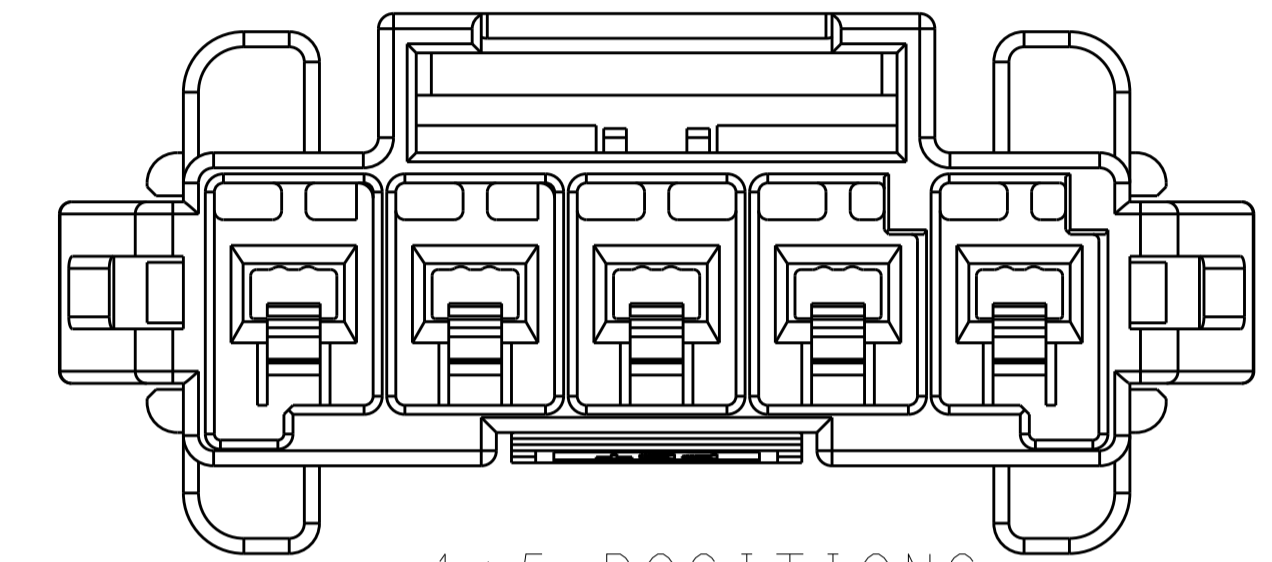
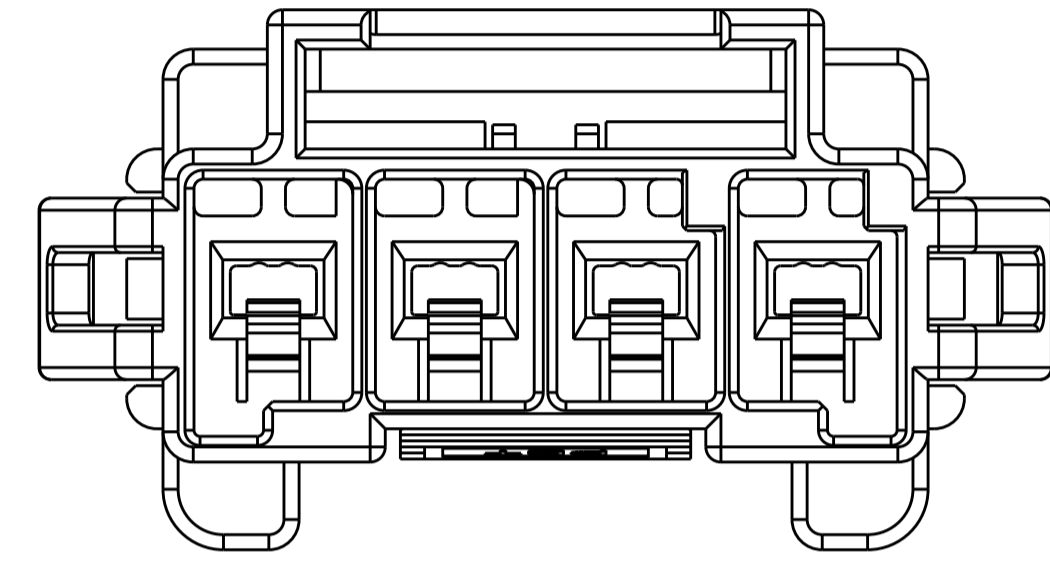
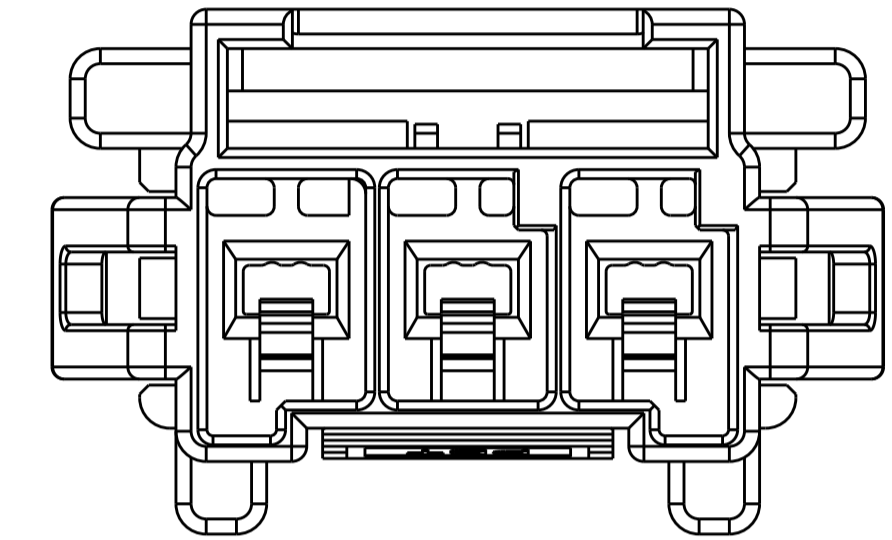
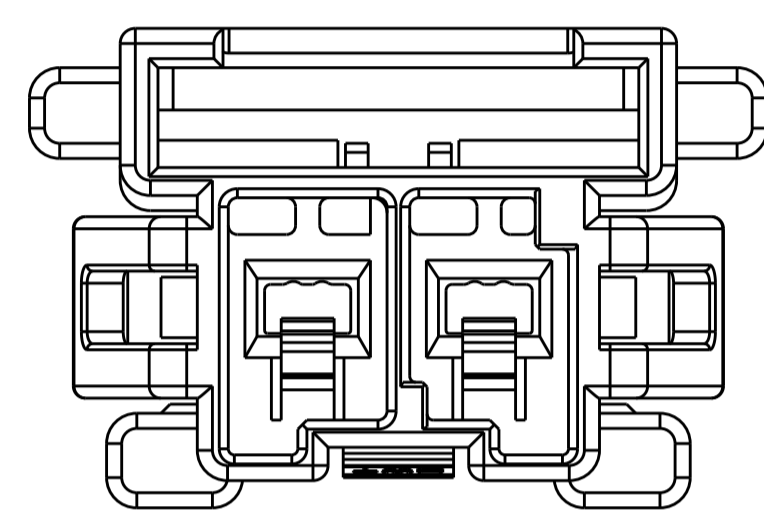
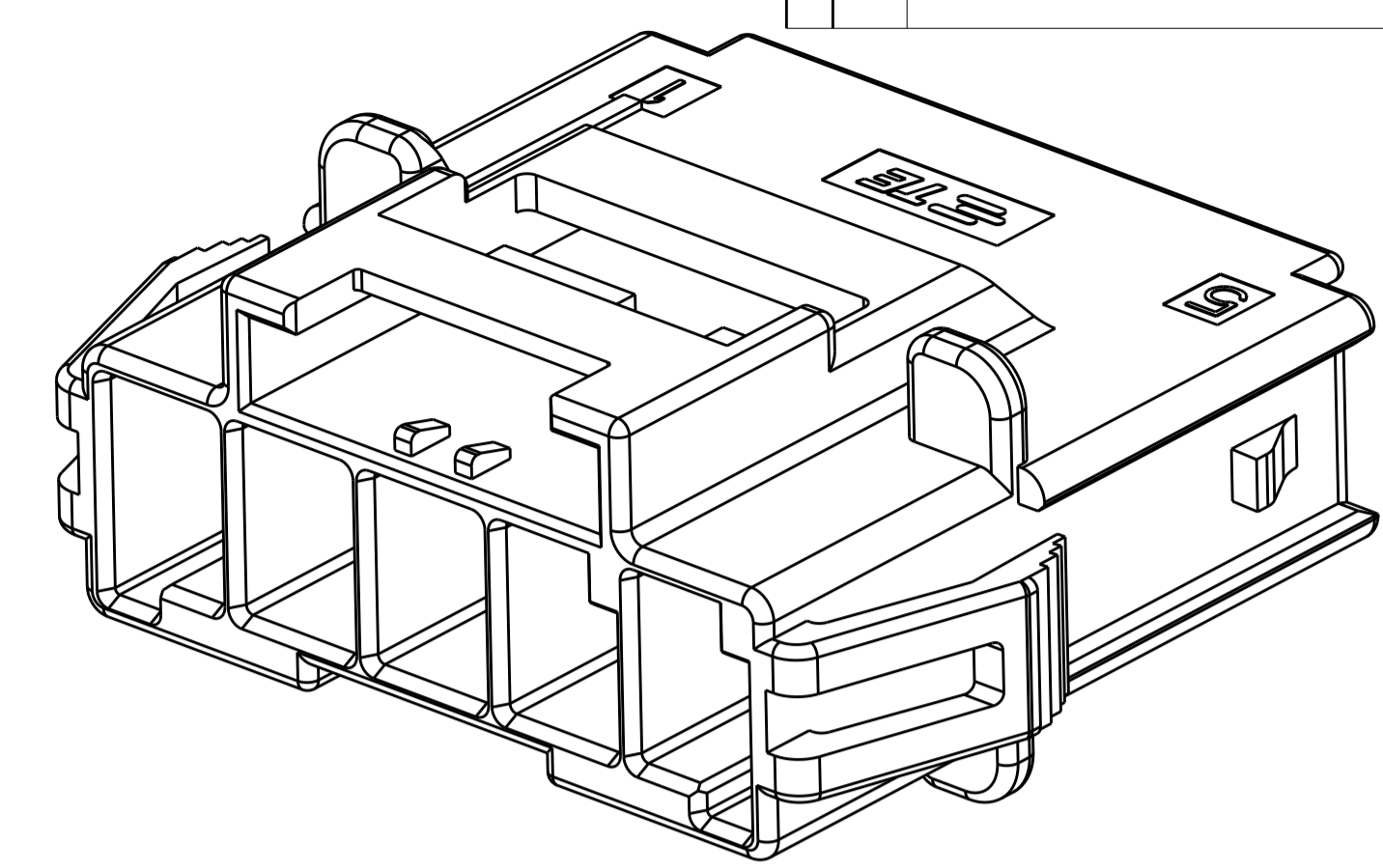
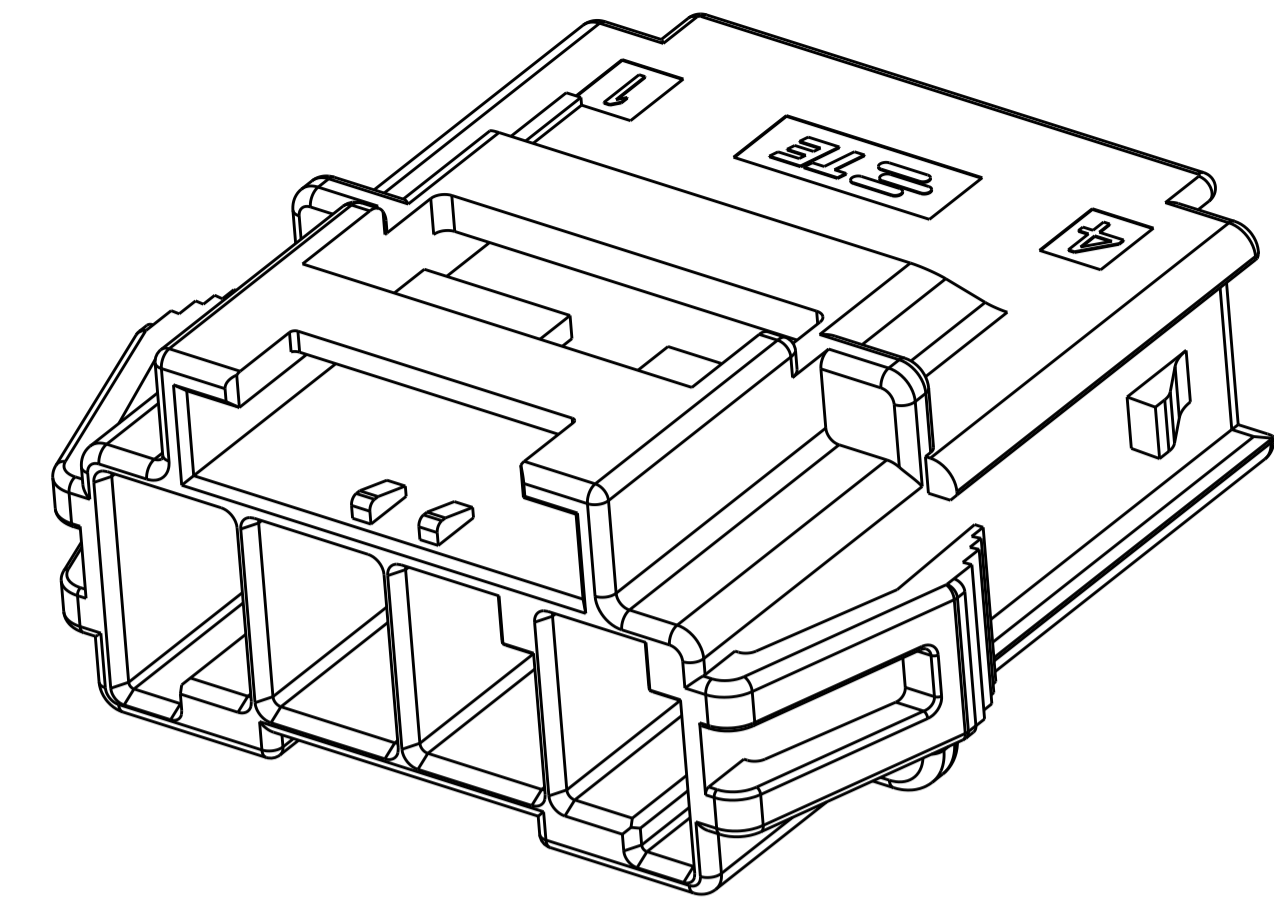
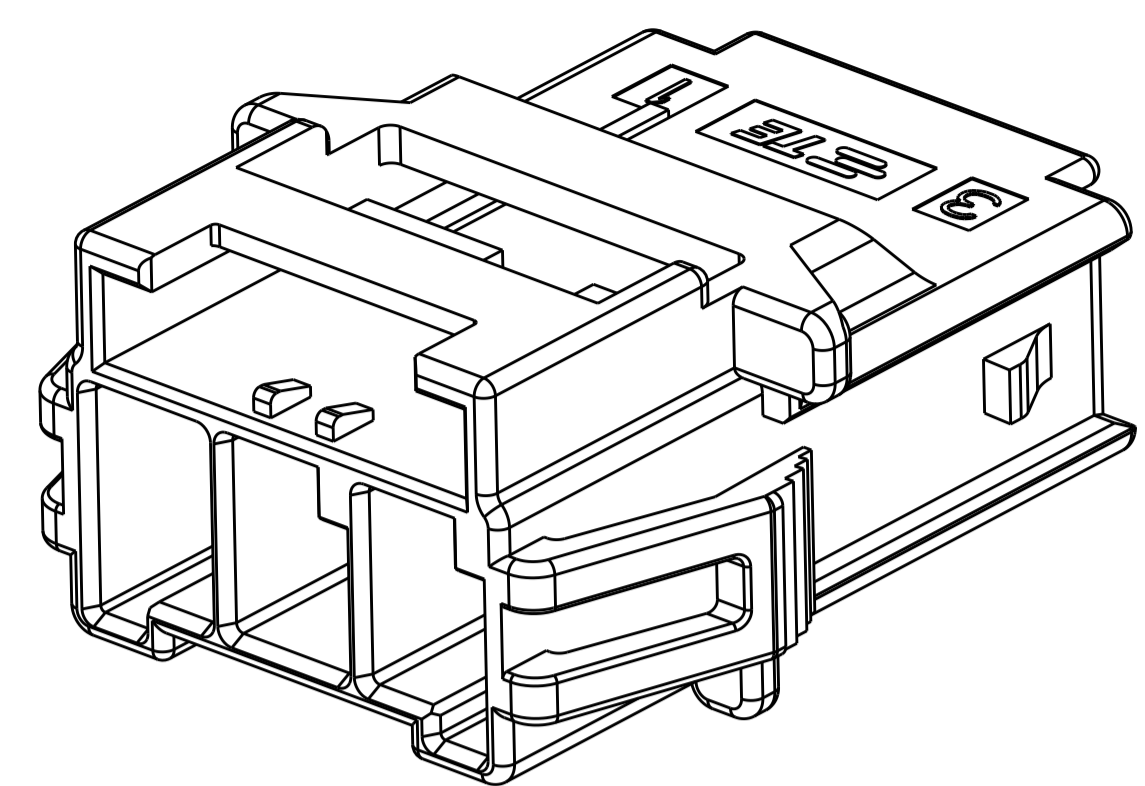
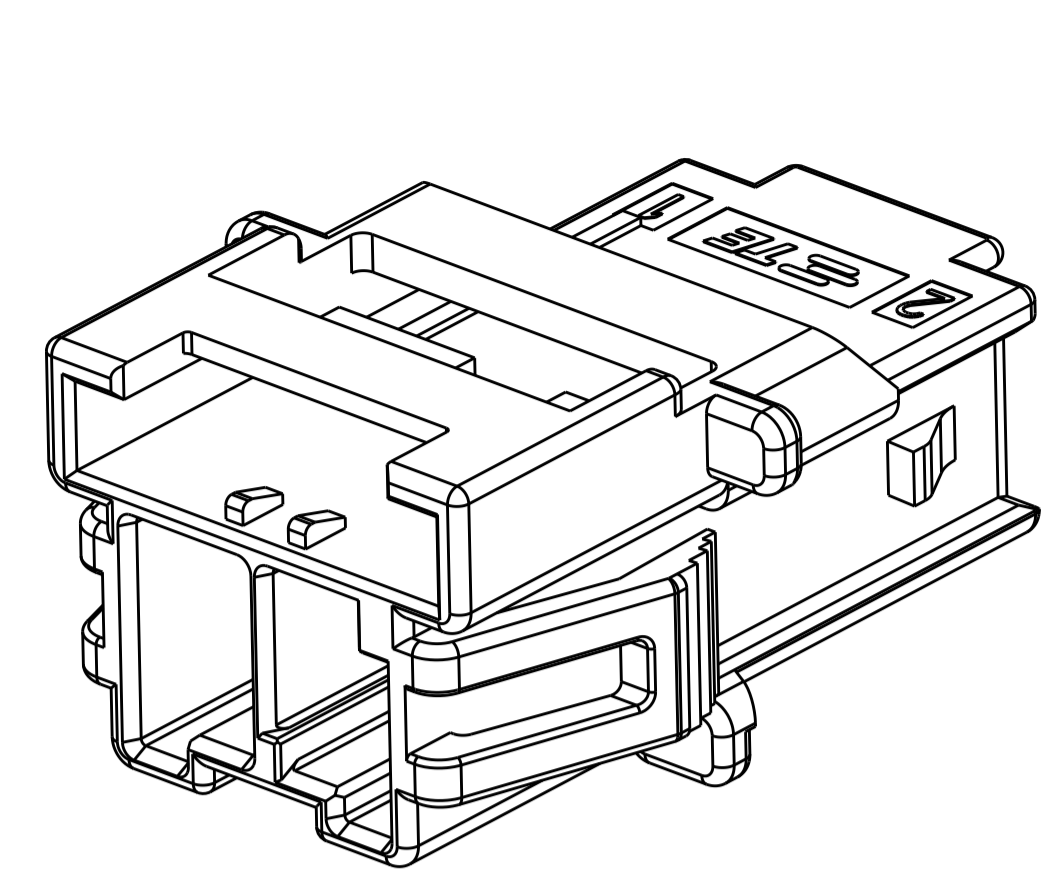
RECOMMENDED PANEL OPENING DIMENSIONS FOR CAP HOUSING 1\*2 POSITION (TOLERANCE: ±0.15mm)

| POS | Dim. A | Dim. B | Dim. C | Dim. D | Dim. E | Dim. F | Dim. G |
|-----|--------|--------|--------|--------|--------|--------|--------|
| 1*5 | 33.70  | 27.50  | 39.5   | 31.30  | 36.70  | 31.80  | 2.9    |
| 1*4 | 27.70  | 21.50  | 33.5   | 25.30  | 30.70  | 25.80  | 2.9    |
| 1*3 | 21.70  | 15.50  | 27.5   | 19.30  |        |        | 2.5    |
| 1*2 | 15.70  | 9.50   | 21.5   | 13.30  |        |        | 1.1    |

THIS DRAWING IS A CONTROLLED DOCUMENT. DIMENSIONS: mm. TOLERANCES UNLESS OTHERWISE SPECIFIED: 0 PLC ±, 1 PLC ±0.35, 2 PLC ±0.25, 3 PLC ±0.20, 4 PLC ±, ANGLES ±. MATERIAL: △ △. FINISH: -.

|                         |                         |                            |  |
|-------------------------|-------------------------|----------------------------|--|
| DWN: TOMMY WU 26MAR2013 | CHK: HAPYE WU 26MAR2013 | APVD: YUHONG MAO 26MAR2013 | NAME: CAP HOUSING, PANEL MOUNT, SINGLE ROW POWER TRIPLE LOCK |
| Customer Drawing        |                         |                            | SCALE: 5:1 SHEET 1 OF 2 REV E                                |

| REVISIONS |     |             |      |          |
|-----------|-----|-------------|------|----------|
| P.        | LTN | DESCRIPTION | DATE | OWN APVD |
| -         | -   | SEE SHEET 1 | -    | -        |

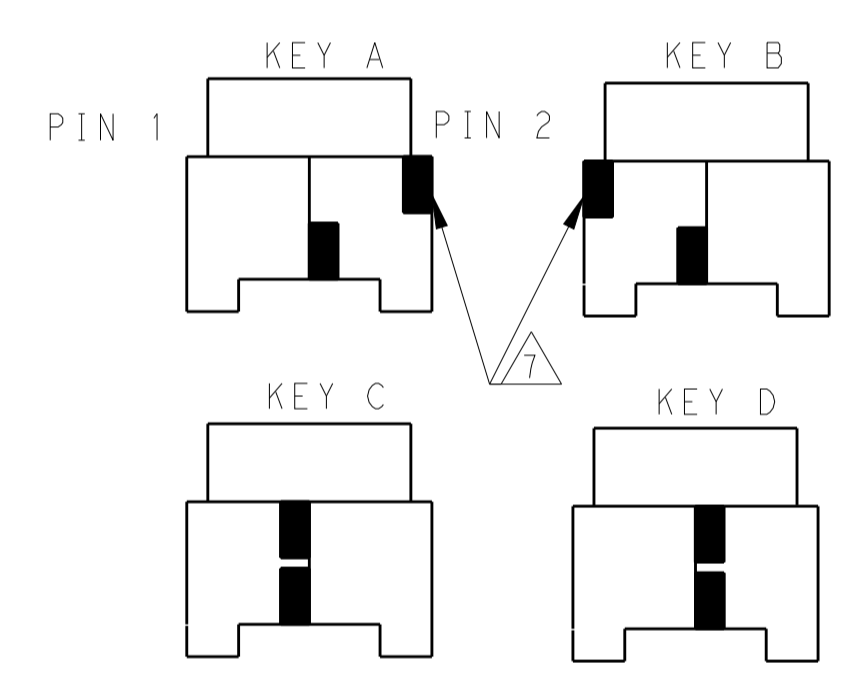


1\*2 POSITIONS

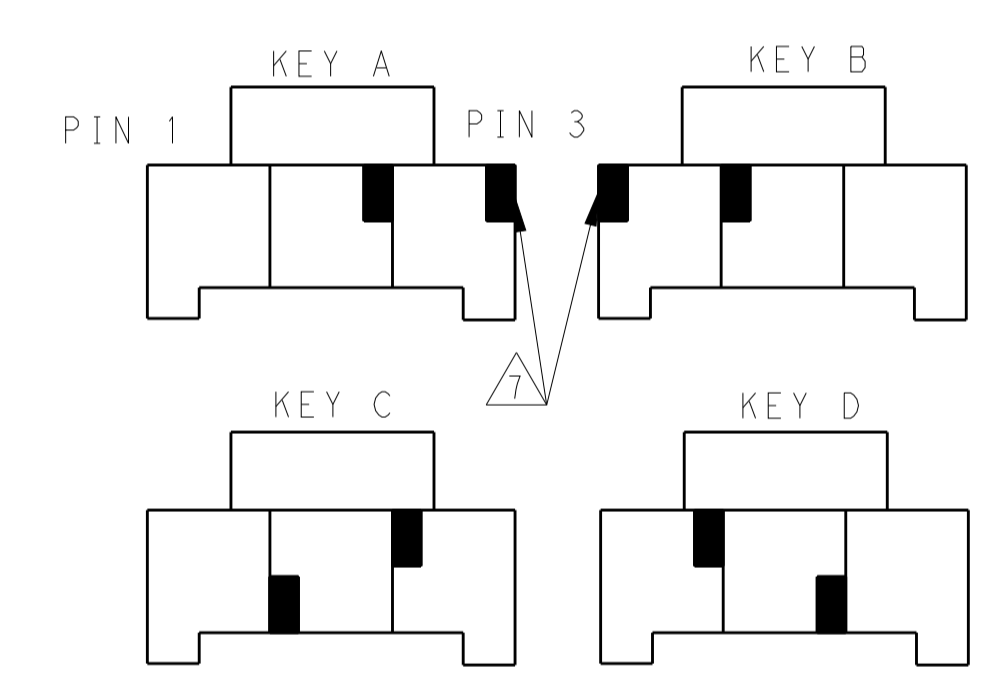
1\*3 POSITIONS

1\*4 POSITIONS

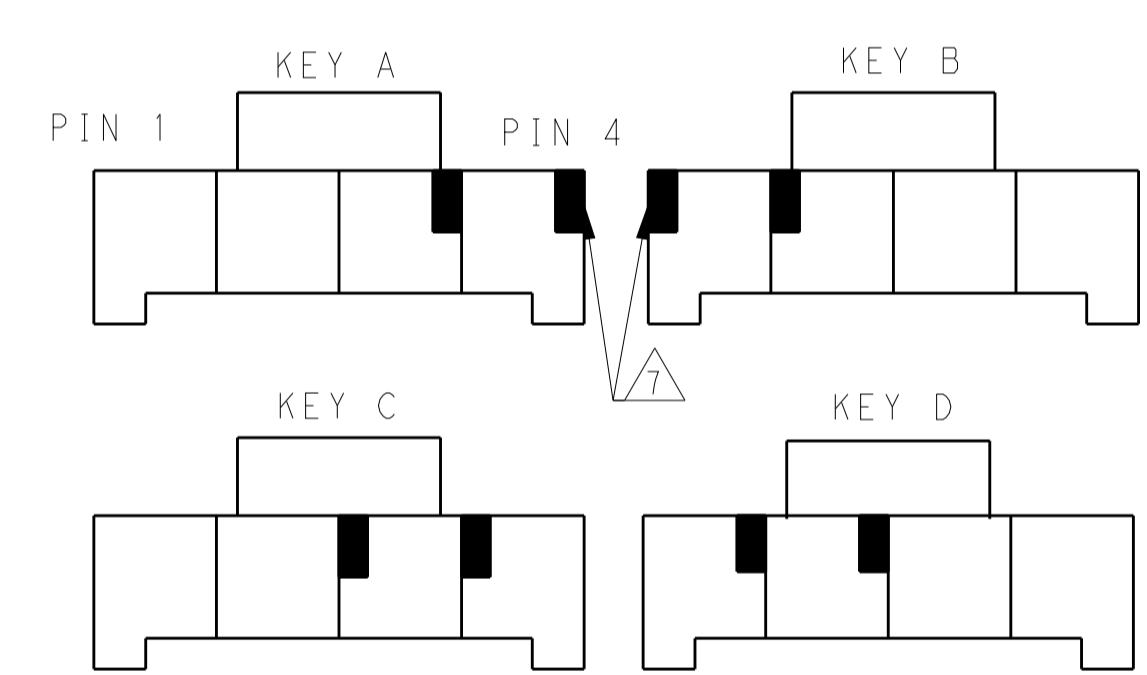
1\*5 POSITIONS



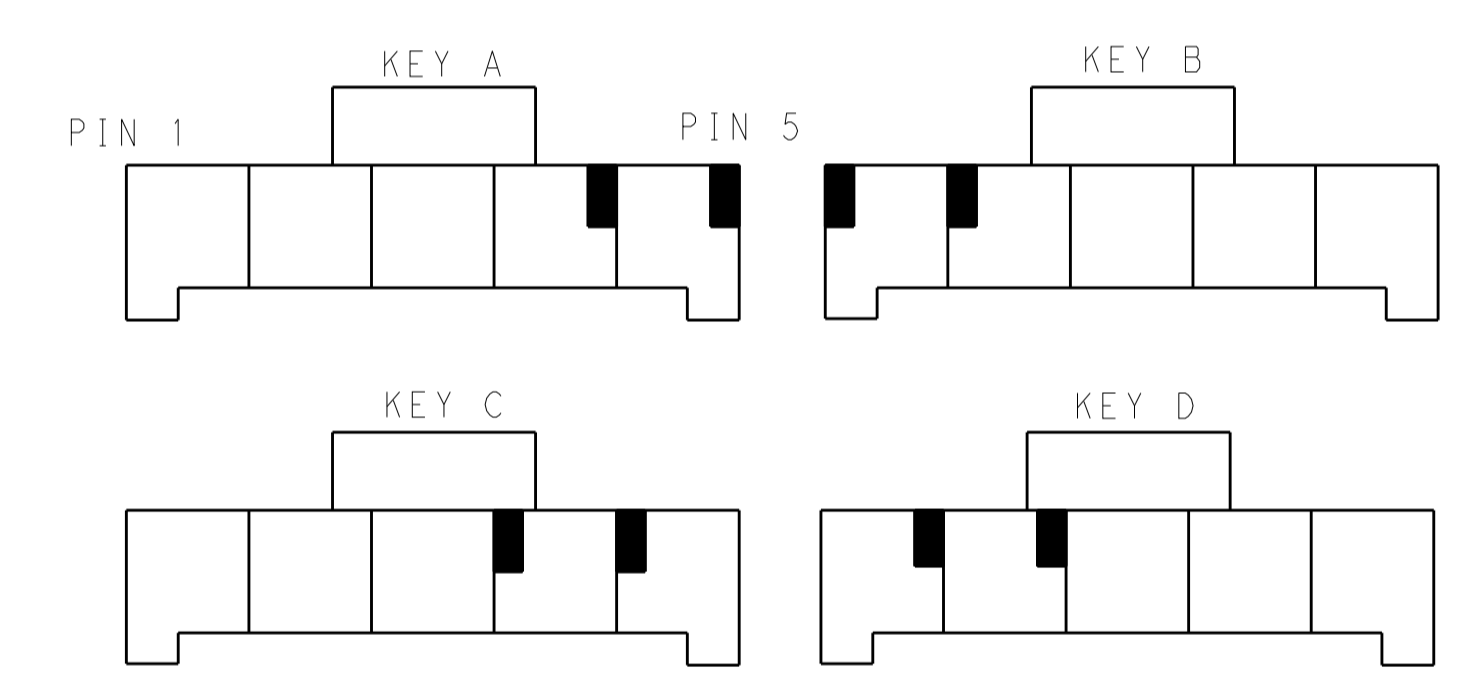
KEYING FOR 1\*2 POS.



KEYING FOR 1\*3 POS.

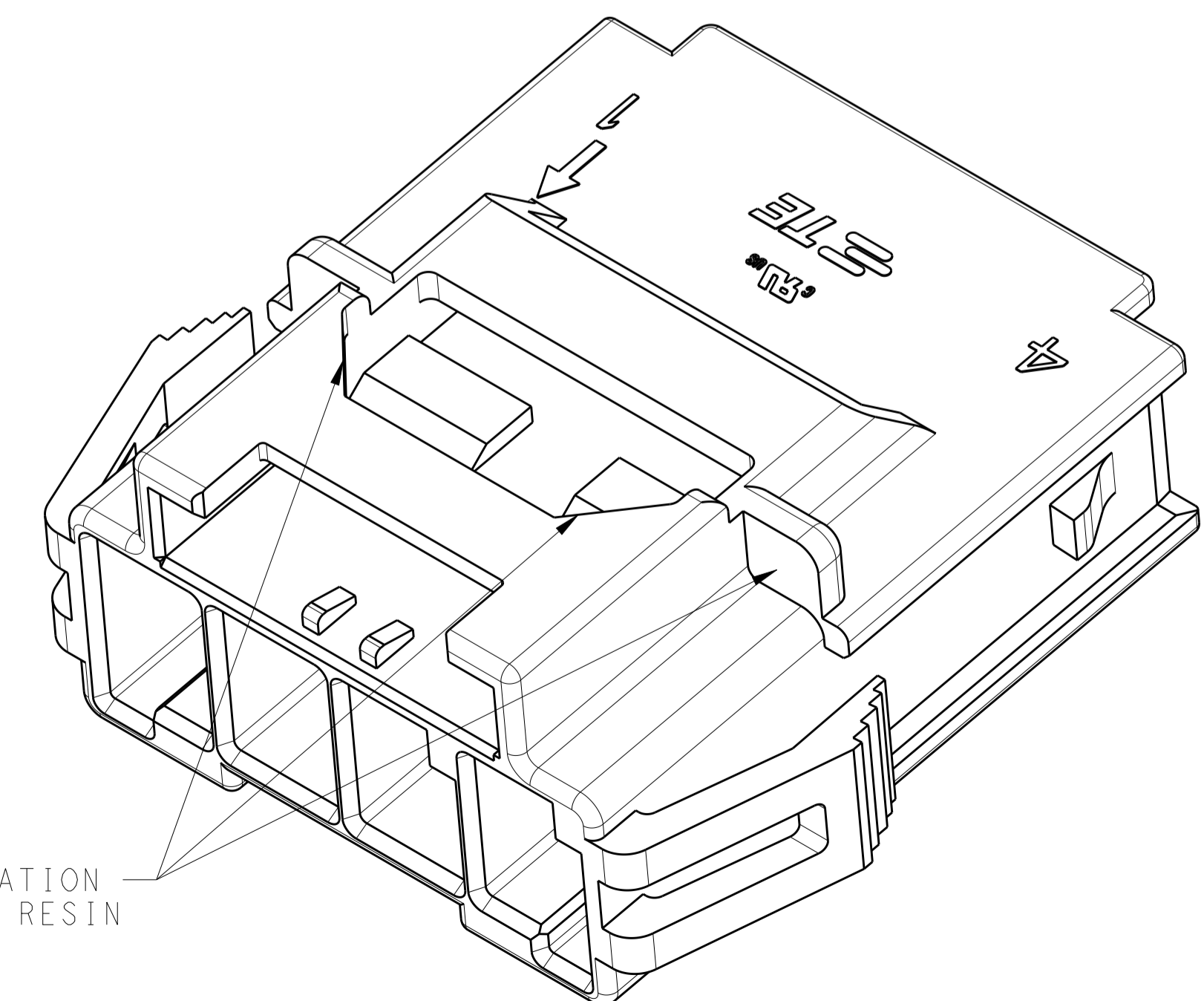


KEYING FOR 1\*4 POS.



KEYING FOR 1\*5 POS.

| POS. | MATERIAL | COLOR     | KEY   | P/N         |
|------|----------|-----------|-------|-------------|
| 1*5  | LEVEL A  | DARK GREY | KEY A | 5-2232263-7 |
|      |          | BROWN     | KEY B | 6-2232263-7 |
|      |          | GREEN     | KEY C | 7-2232263-7 |
|      |          | ORANGE    | KEY D | 8-2232263-7 |
| 1*4  | LEVEL B  | BLACK     | KEY A | 1-2232263-3 |
|      |          | DARK GREY | KEY A | 5-2232263-4 |
|      |          | BROWN     | KEY B | 6-2232263-4 |
|      |          | GREEN     | KEY C | 7-2232263-4 |
| 1*4  | LEVEL A  | ORANGE    | KEY D | 8-2232263-4 |
|      |          | BLACK     | KEY A | 1-2232263-2 |
|      |          | DARK GREY | KEY A | 5-2232263-3 |
|      |          | BROWN     | KEY B | 6-2232263-3 |
| 1*3  | LEVEL A  | GREEN     | KEY C | 7-2232263-3 |
|      |          | ORANGE    | KEY D | 8-2232263-3 |
|      |          | DARK GREY | KEY A | 5-2232263-2 |
|      |          | BROWN     | KEY B | 6-2232263-2 |
| 1*3  | LEVEL B  | GREEN     | KEY C | 7-2232263-2 |
|      |          | ORANGE    | KEY D | 8-2232263-2 |
|      |          | NATURAL   | KEY B | 2-2232263-1 |
|      |          | BLACK     | KEY A | 1-2232263-1 |
| 1*2  | LEVEL A  | DARK GREY | KEY A | 5-2232263-2 |
|      |          | BROWN     | KEY B | 6-2232263-2 |
|      |          | GREEN     | KEY C | 7-2232263-2 |
|      |          | ORANGE    | KEY D | 8-2232263-2 |
| 1*2  | LEVEL B  | NATURAL   | KEY B | 2-2232263-1 |
|      |          | BLACK     | KEY A | 1-2232263-1 |



ALTERNATE CONFIGURATION FOR LEVEL B, HWT, RESIN

|  |              |                             |   |
|--|--------------|-----------------------------|---|
| THIS DRAWING IS A CONTROLLED DOCUMENT. |              | OWN TOMMY WU 26MAR2013      | TE Connectivity   |
| DIMENSIONS: mm                         |              | CHK HAPYE WU 26MAR2013      |   |
| TOLERANCES UNLESS OTHERWISE SPECIFIED: |              | APVD YUHONG MAO 26MAR2013   | NAME CAP HOUSING, PANEL MOUNT, SINGLE ROW POWER TRIPLE LOCK |
| 0 PLC ±0.35                            | 1 PLC ±0.25  | PRODUCT SPEC 108-106118     | SIZE CAGE CODE DRAWING NO RESTRICTED TO                     |
| 2 PLC ±0.20                            | 3 PLC ±0.20  | APPLICATION SPEC 114-106118 | A100779C=2232263  |
| 4 PLC ±0.20                            | ANGLES ±0.20 | WEIGHT                      | SCALE SHEET 2 OF 2 REV E                                    |
| MATERIAL FINISH                        |              | Customer Drawing            |   |