

THIS DRAWING IS UNPUBLISHED.

RELEASED FOR PUBLICATION

ALL RIGHTS RESERVED.

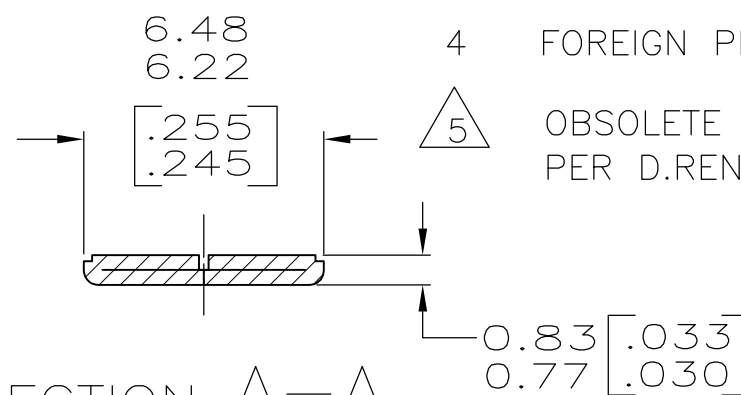
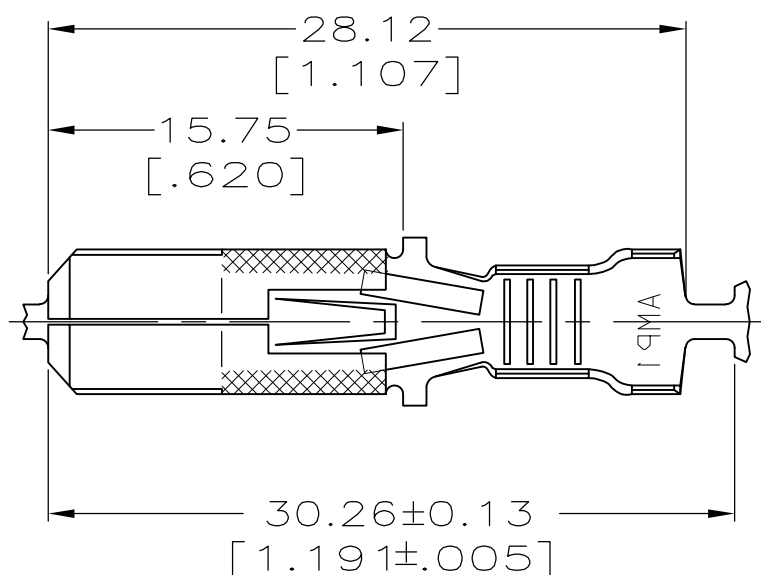
© COPYRIGHT - By -

LOC AF DIST 50

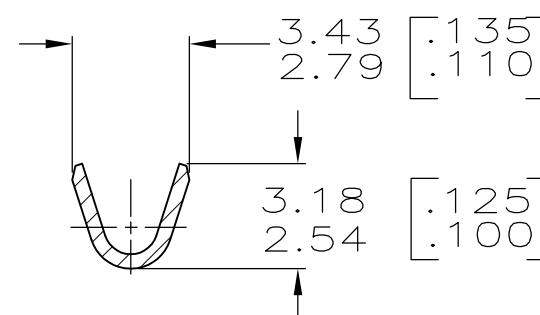
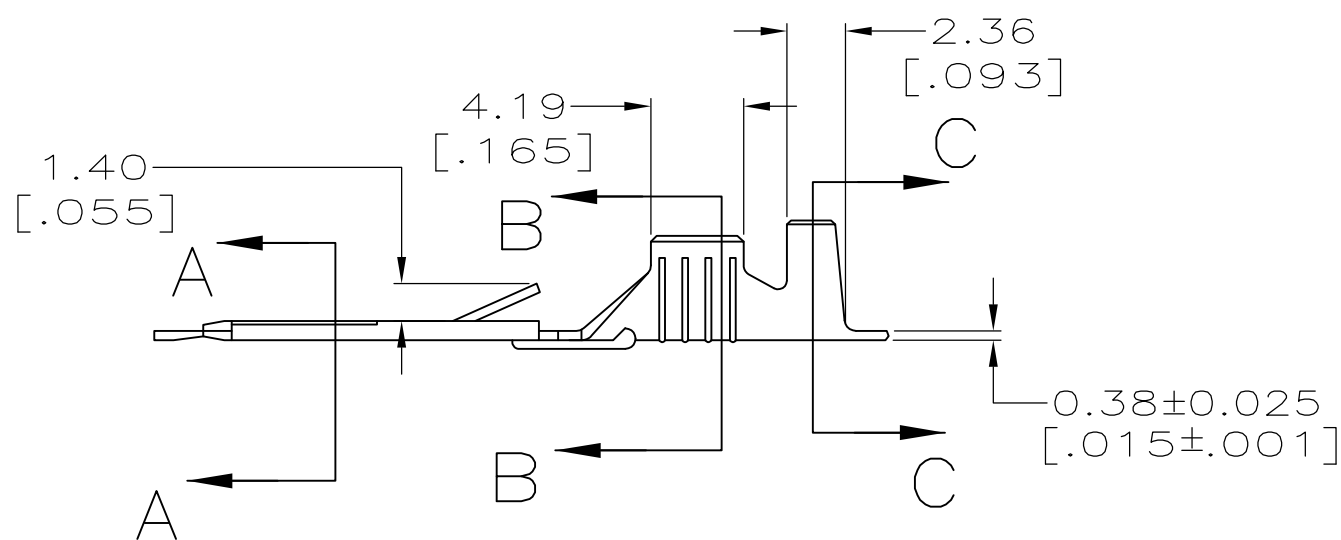
REVISIONS

P	LTR	DESCRIPTION	DATE	DWN	APVD
	T	REVISED PER ECR-13-005733	26AUG2013	KH	PD

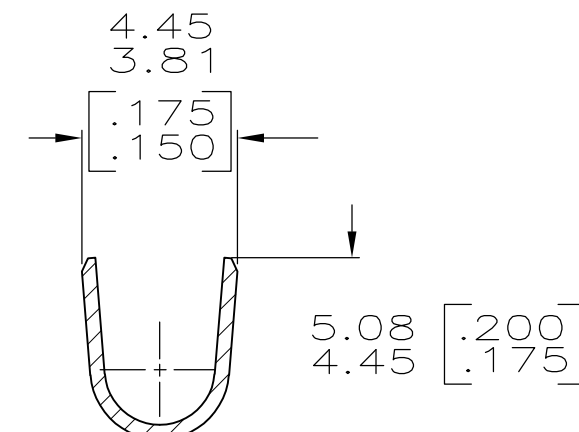
- CONTINUOUS STRIP ON REELS.
  - WIRE SIZE TO BE [#22-#18] AWG.
  - INSULATION RANGE TO BE 2.16-3.18 [.085-.125] DIA.
  - FOREIGN PRODUCTION ONLY.
- OBSOLETE PARTS: OBSOLETE CIS STREAMLINING PER D.RENAUD/D.SINISI



SECTION A-A SCALE 5:1



SECTION B-B SCALE 5:1



SECTION C-C SCALE 5:1

OBSOLETE	TIN	-60294-9	4
	PRE-TIN	-60294-4	4
	TIN	60294-2	
	-	60294-1	
	FINISH	PART NO.	

THIS DRAWING IS A CONTROLLED DOCUMENT.		DWN JR RUTH 5/1/96	<b>STE</b> TE Connectivity		
DIMENSIONS: mm		CHK MS FEHER 5/1/96			
TOLERANCES UNLESS OTHERWISE SPECIFIED:		APVD J GILLESPIE 5/1/96	NAME		
0 PLC ± -		PRODUCT SPEC	TAB, FASTIN-FASTON, 6.35 [.250] SERIES		
1 PLC ± -		APPLICATION SPEC	SIZE	CAGE CODE	DRAWING NO
2 PLC ± 0.38 [.015]		114-2025	A3	00779	C-60294
3 PLC ± -		WEIGHT -	RESTRICTED TO -		
4 PLC ± -		CUSTOMER DRAWING	SCALE 5:1	SHEET 1 OF 1	REV T
ANGLES ± -					
FINISH SEE TABLE					
MATERIAL BRASS					