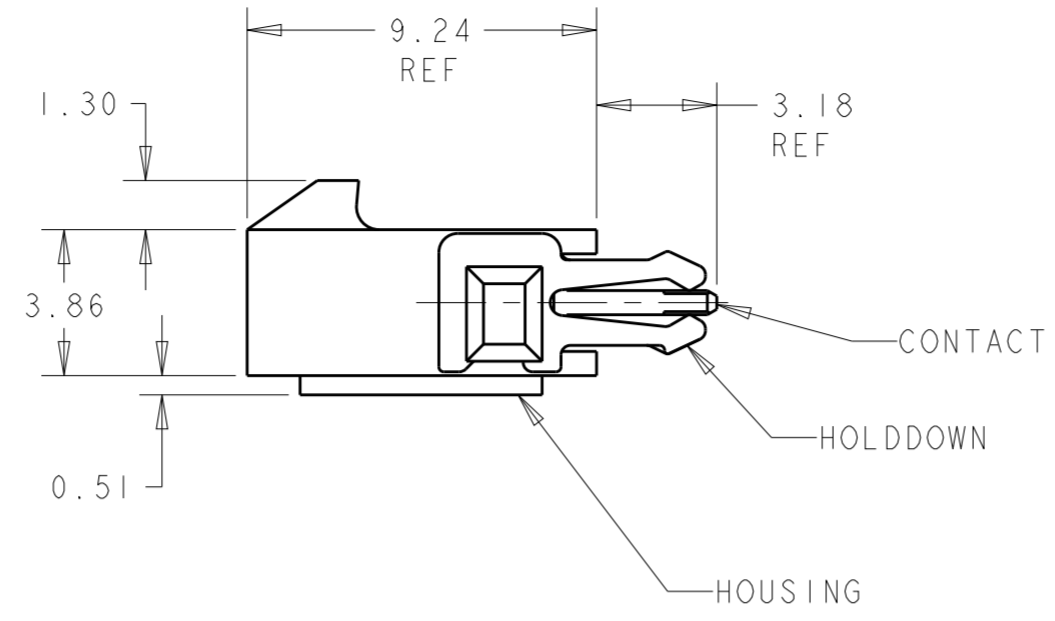
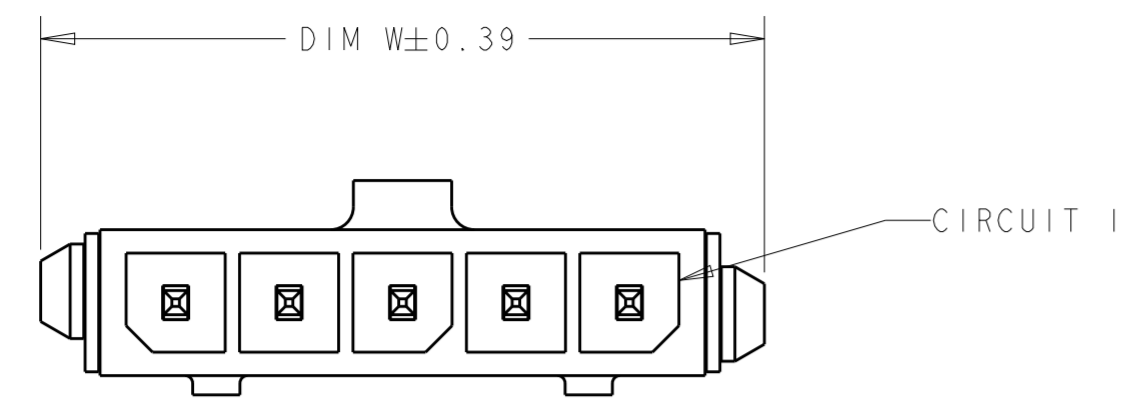
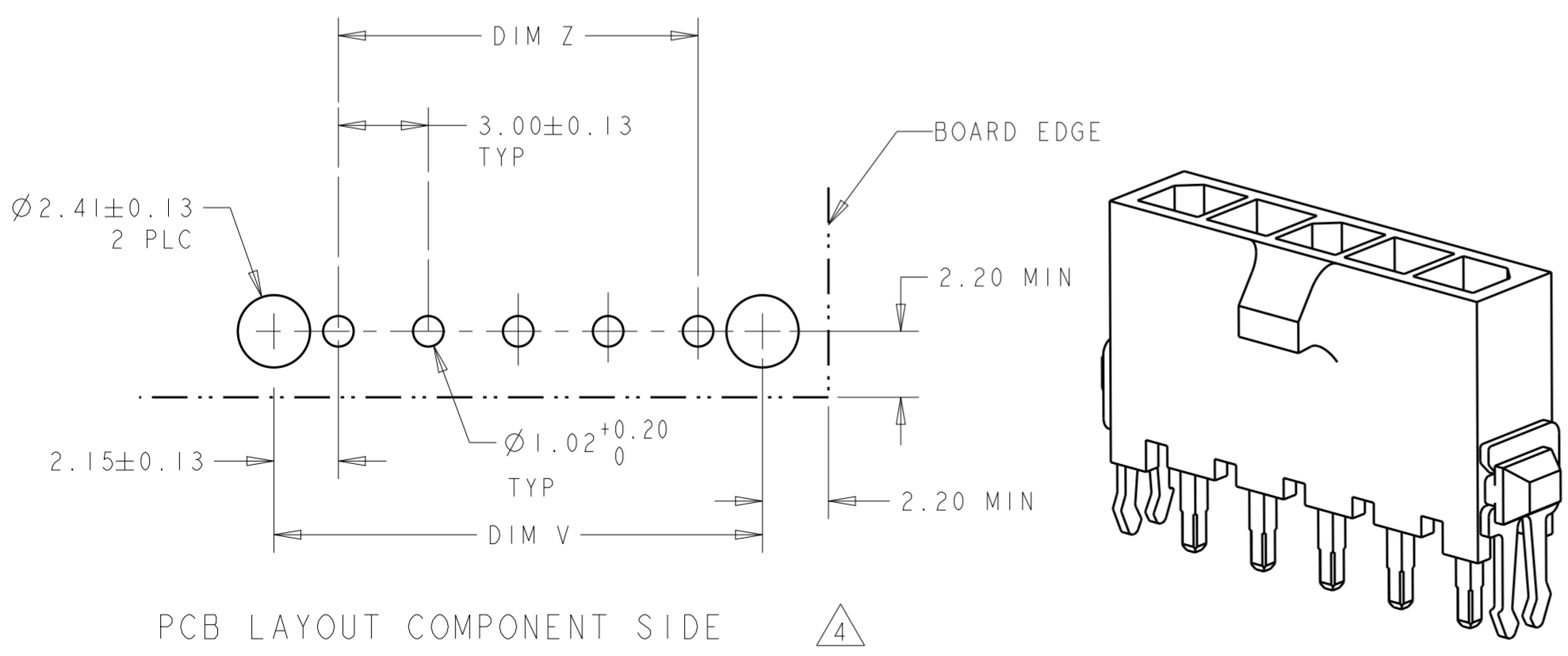
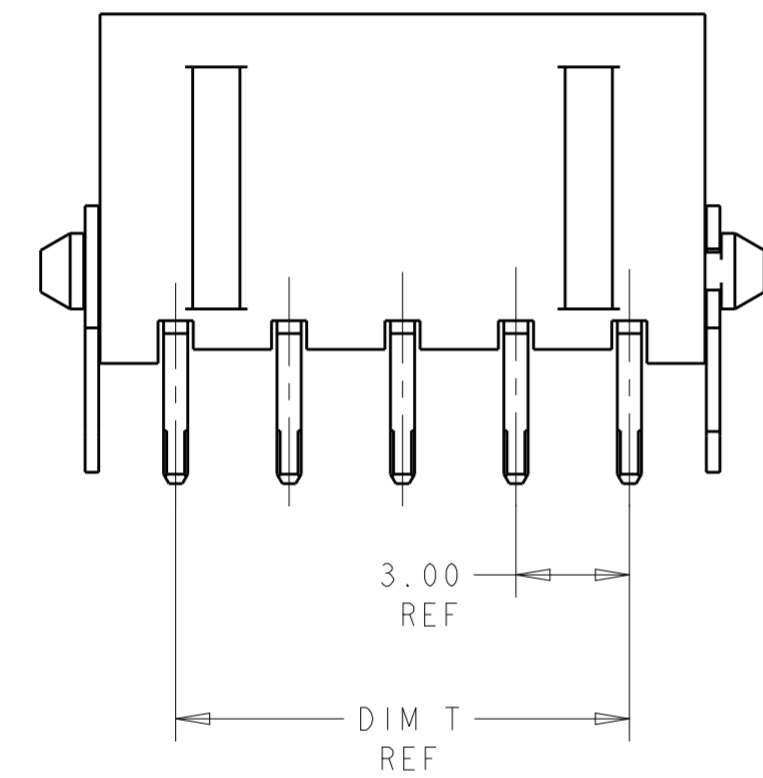


THIS DRAWING IS UNPUBLISHED. RELEASED FOR PUBLICATION 20  
 © COPYRIGHT 20 BY - ALL RIGHTS RESERVED.

REVISIONS					
P	LTR	DESCRIPTION	DATE	DWN	APVD
A2		REVISED PER ECR-16-011494	23JUN2017	NK	CX
A3		ECO-19-006934	10MAY2019	AP	WS



- 1 MATERIAL: CONTACTS - BRASS  
HOUSING - UL 94V-0 RATED HIGH TEMP NYLON, COLOR BLACK.  
HOLDDOWNS: - PHOSPHOR BRONZE.
- 2 PLATING: CONTACTS - 0.38µm MINIMUM GOLD ON MATING END,  
2.54µm MINIMUM TIN LEAD ON SOLDER TAILS, BOTH OVER  
1.27µm MINIMUM NICKEL.  
HOLDDOWNS: 2.54µm MINIMUM TIN-LEAD OVER 1.27µm MINIMUM  
NICKEL.
- 4 RECOMMENDED PC BOARD THICKNESS OF 1.57.
- 5 PLATING: CONTACTS - 0.38µm MINIMUM GOLD ON MATING END,  
2.54µm MINIMUM MATTE TIN ON SOLDER TAILS, BOTH OVER  
1.27µm MINIMUM NICKEL.  
HOLDDOWNS: 2.54µm MINIMUM MATTE TIN OVER 1.27µm MINIMUM  
NICKEL.



	FINISH	DIM Z	DIM V	DIM T	DIM W	NO. OF POSN	PART NUMBER
5		33.00	37.43	33.00	40.14	12	3-1445085-2
5		30.00	34.43	30.00	37.14	11	3-1445085-1
5		27.00	31.43	27.00	34.14	10	3-1445085-0
5		24.00	28.43	24.00	31.14	9	2-1445085-9
5		21.00	25.43	21.00	28.14	8	2-1445085-8
5		18.00	22.43	18.00	25.14	7	2-1445085-7
5		15.00	19.43	15.00	22.14	6	2-1445085-6
5		12.00	16.43	12.00	19.14	5	2-1445085-5
5		9.00	13.43	9.00	16.14	4	2-1445085-4
5		6.00	10.43	6.00	13.14	3	2-1445085-3
5		3.00	7.43	3.00	10.14	2	2-1445085-2
2		33.00	37.43	33.00	40.14	12	1-1445085-2
2		30.00	34.43	30.00	37.14	11	1-1445085-1
2		27.00	31.43	27.00	34.14	10	1-1445085-0
2		24.00	28.43	24.00	31.14	9	1-1445085-9
2		21.00	25.43	21.00	28.14	8	1-1445085-8
2		18.00	22.43	18.00	25.14	7	1-1445085-7
2		15.00	19.43	15.00	22.14	6	1-1445085-6
2		12.00	16.43	12.00	19.14	5	1-1445085-5
2		9.00	13.43	9.00	16.14	4	1-1445085-4
2		6.00	10.43	6.00	13.14	3	1-1445085-3
2		3.00	7.43	3.00	10.14	2	1-1445085-2

SUPERSEDED BY 3-1445085-2  
 SUPERSEDED BY 3-1445085-1  
 SUPERSEDED BY 3-1445085-0  
 SUPERSEDED BY 2-1445085-9  
 SUPERSEDED BY 2-1445085-8  
 SUPERSEDED BY 2-1445085-7  
 SUPERSEDED BY 2-1445085-6  
 SUPERSEDED BY 2-1445085-5  
 SUPERSEDED BY 2-1445085-4  
 SUPERSEDED BY 2-1445085-3  
 SUPERSEDED BY 2-1445085-2

THIS DRAWING IS A CONTROLLED DOCUMENT. DWN J. ROOT 10OCT2000  
 CHK K. WHITAKER 17-APR-2001  
 APVD C. JONES 17-APR-2001

**STE** TE Connectivity

NAME: VERTICAL THRU HOLE HEADER ASSY, 0.38 MIC GOLD CONTACTS W/THRU HOLE™ HOLDDOWNS, SGL ROW, MICRO MATE-N-LOK™

SIZE: A2 CAGE CODE: 00779 DRAWING NO: 1445085 RESTRICTED TO: -

SCALE: 5:1 SHEET: 1 OF 1 REV: A3

PRODUCT SPEC: 108-1836  
 APPLICATION SPEC: 114-13000  
 WEIGHT: -  
 MATERIAL: SEE TABLE  
 DIMENSIONS: mm  
 TOLERANCES UNLESS OTHERWISE SPECIFIED:  
 0 PLC ±  
 1 PLC ±  
 2 PLC ±0.20  
 3 PLC ±  
 4 PLC ±  
 ANGLES ±  
 FINISH