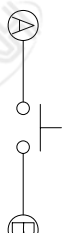
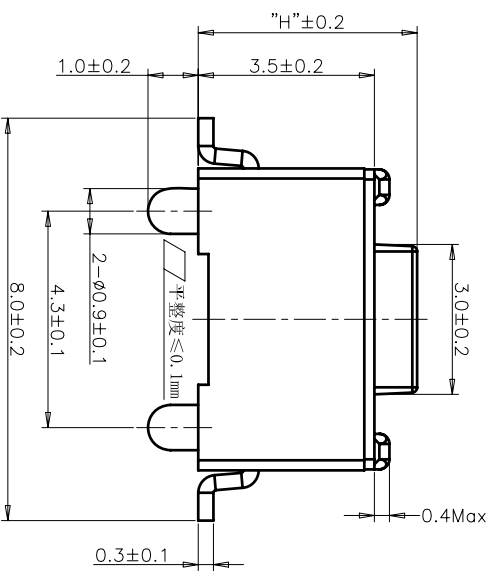
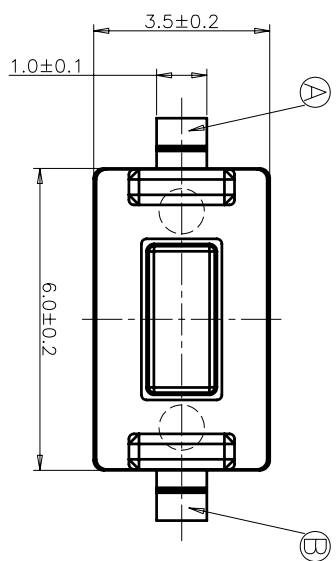
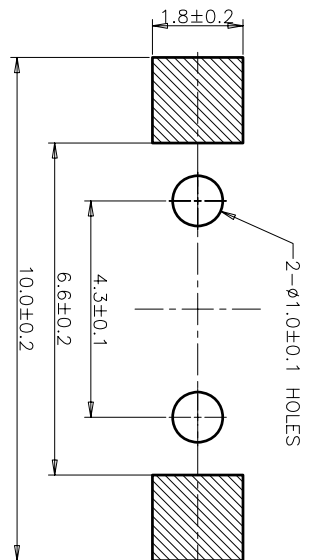


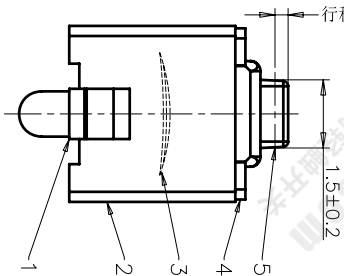
ACAD GENERATED DRAWING. DON'T CHANGE BY HAND.



CIRCUIT DIAGRAM
回路图



RECOMMENDED P.C.B. LAYOUT
安装尺寸图



REV	ECN NO.	APPD
A	HC-11-0027	PROJQM
B	HC-11-0062	PROJQM
C	HC-12-0061	PROJQM
D	HC-15-0064	PROJQM

规格 Specifications

额定负荷 Rating	DC 12V/50mA
接触电阻 Contact Resistance	100mΩ max.
绝缘电阻 Insulation resistance	DC100V 60S 100MΩ min.
抗电强度 Dielectric strength	AC250V(50-60HZ) 60S min.
操作力 Operation force	≤180±30gf ≤300±50gf
寿命试验 Operating Life	50,000 cycles 30,000 cycles
行程 Travels	0.25±0.1mm

PRODUCT NO.: 1TS002*****-CT

- 轻触开关
- 3X6系列
- 外形:
 - A=插脚
 - B=贴片
 - C=贴片带柱
 - E=贴片2.5高
 - K=贴片带柱8.8
 - L=贴片10.2
- 按钮颜色:
 - 底座颜色:
 - 盖板颜色:
- 操作力度:
 - 1=130±20gf
 - 160=160±30gf
 - 180=180±30gf
 - 220=220±40gf
 - 250=250±50gf
 - 300=300±50gf
- 手感:
 - 0=常规
 - 1=大手感
 - 2=小手感
 - 3=特殊手感
- 产品高度(H):
 - 430=4.3mm
 - 500=5.0mm
- 材质:
 - 0=PA66
 - 1=LCP+PPA
 - 2=LCP
 - 3=PA66+PPA
 - 4=新增材质依次增加
- 非编带, 不启用

ITEM	PART NAME	QUANTITY	MATERIAL	FINISH
5	ACTUATOR	1	PA66	WHITE
4	COVER	1	STAINLESS STEEL	NATURAL
3	DOME	1	STAINLESS STEEL	Ag-PLATED
2	HOUSING	1	PA66	WHITE
1	TERMINAL	1	BRASS	Ag-PLATED/0.2μm

X. ± 0.3	X' ± 3'	UNITS	MM	NAME/(INTENDED USE)	HON YUAN
.X ± 0.2	.X' ± 2'	MATL		3X6 SMT SERIES(POST)	HON YUAN PRECISION IND. CO.,LTD.
.XX ± 0.1	.XX' ± 1'			TACT SWITCH	SHENZHEN, CHINA, R.O.C.
.XXX ± 0.05	.XXX' ± 0.5'	FINISH		ITS002C****-*****0	PRODUCT DRAWING
APPD: ZO 2015/11/12				DWG NO.: 1TS002C	
CHKD: M.H.Li 2015/11/12					
DR: WP.LU 2015/11/11					

THESE DRAWINGS AND SPECIFICATIONS ARE NOT TO BE USED FOR REPRODUCTION OR COPIED OR USED IN ANY MANNER WITHOUT THE PRIOR WRITTEN CONSENT OF HON YUAN PRECISION IND. CO., LTD.

