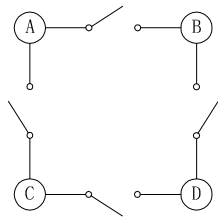
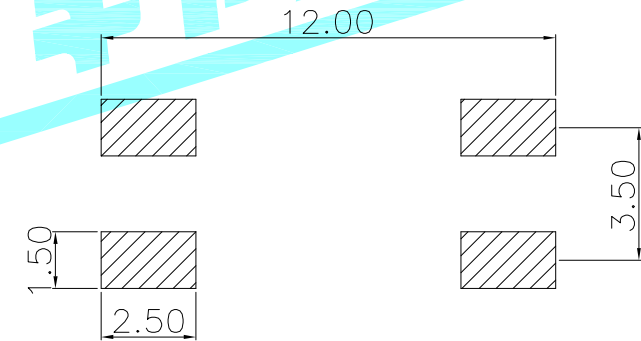
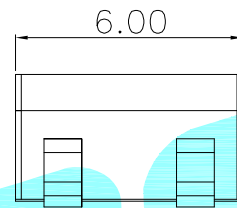
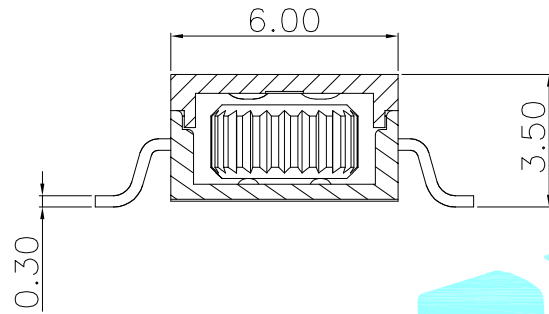
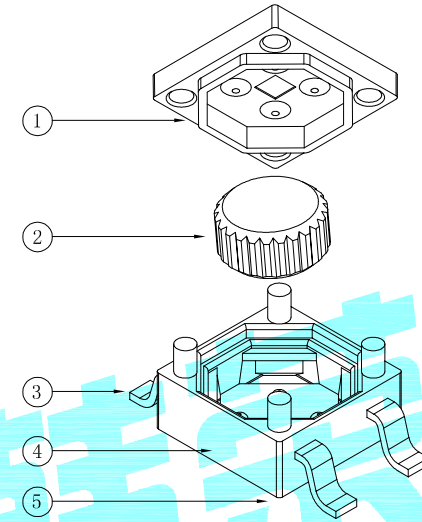
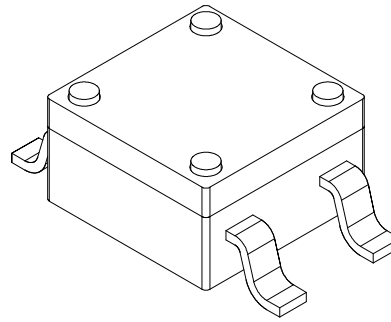


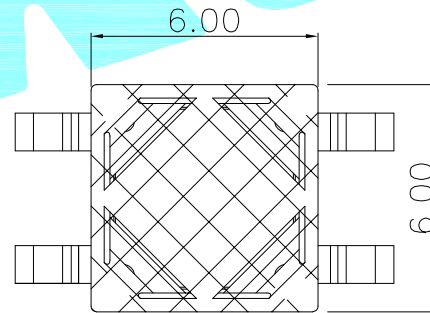
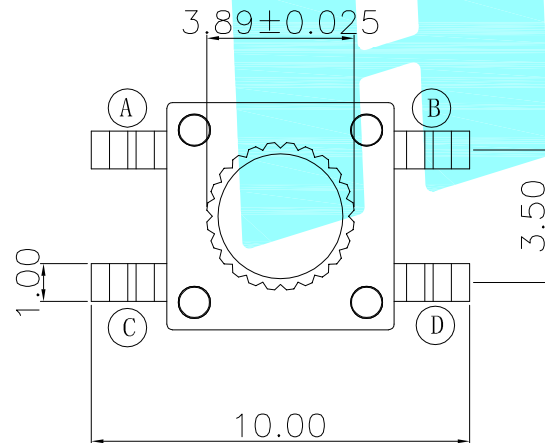
# ROHS



CIRCUIT DIAGRAM



PCB LAND DIMENSION

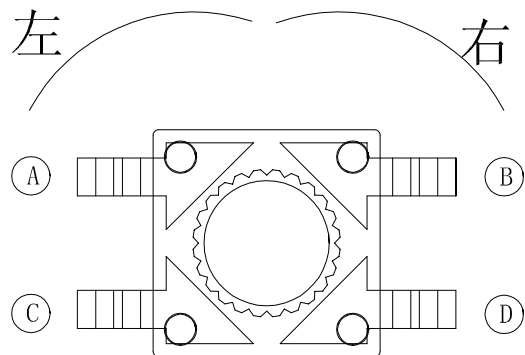


⑤	Dust Cover	—	1	KET	Natural	—
④	Base	—	4	PA	Black	—
③	Terminal	—	1	Phosphor Bronze	Ag Plated	—
②	Ball bearing	—	1	Phosphor Bronze	Ag Plated	—
①	Cover	—	1	PA	Black	—
ITEM	PART NAME	TER'NO.	QTY.	MATERIAL	FINISHING	REMARK

APPROVALS		DATE		 ELECTRONICS CO.,LTD		
DRAWN	J.X.Zhang	2018/8/1				
CHECKED				PART NO.		
APPROVALS				K5-1672SN-01		
TOLERANCES ARE		30~以上	±0.30	ANGLE	UNIT: mm	SCALE: 1:1
		10~30	±0.20			
		5~10	±0.15	±2'	DRAWING NO.	PROJ:
		~ 5	±0.10			

—	A	—	NEW	—	—	—
ECN NO.	REV.	DATE.	DESCRIPTION.	CHANGE.	CHECK.	APPRO.

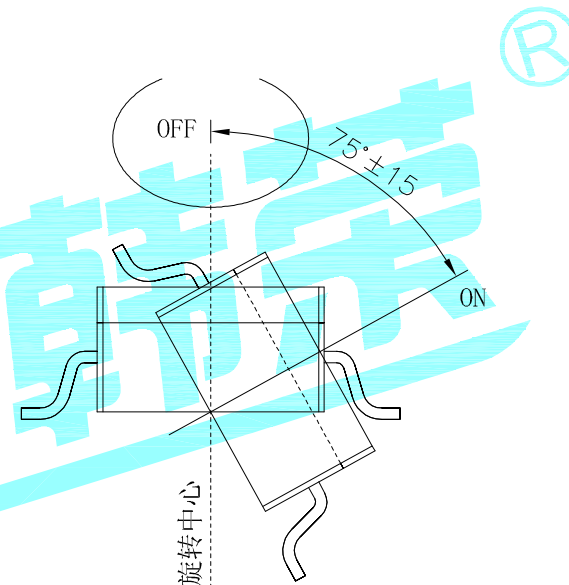
图一：




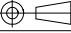
开关的方向如图1所示。

- 1、开关静止状态, 接触脚C和接触脚D导通。
- 2、向左旋转 $70^{\circ} \sim 90^{\circ}$  度, 接触脚A和接触脚C导通。
- 3、向右旋转 $70^{\circ} \sim 90^{\circ}$  度, 接触脚B和接触脚D导通。
- 4、向左旋转 $160^{\circ} \sim 180^{\circ}$  度, 接触脚A和接触脚B导通。
- 5、向右旋转 $160^{\circ} \sim 180^{\circ}$  度, 接触脚A和接触脚B导通。

图二：

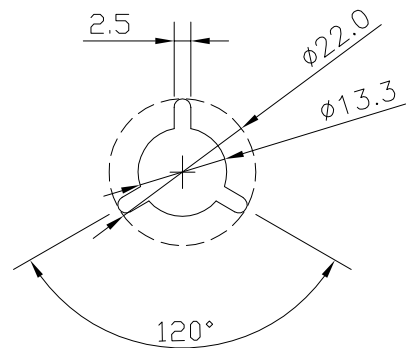


在图二中, 以中心线作为轴并旋转 $70^{\circ} \sim 90^{\circ}$  度, 相邻的两只接触脚导通。

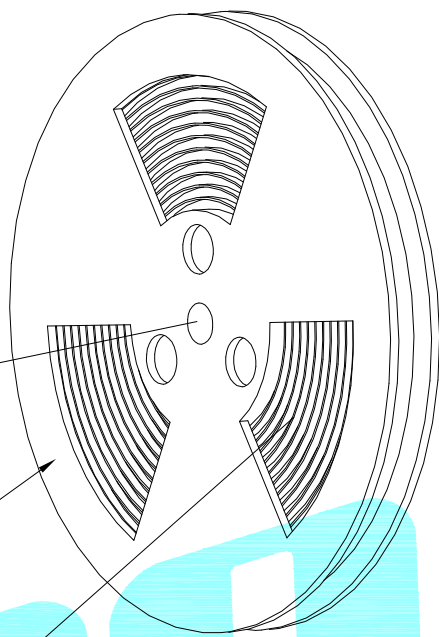
ITEM	PART NAME	TER'NO.	QTY.	MATERIAL	FINISHING	REMARK
APPROVALS		DATE		 ELECTRONICS CO.,LTD		
DRAWN	J.X.Zhang	2018/8/1				
CHECKED				PART NO.	K5-1672SN-01	
APPROVALS				TOLERANCES ARE	ANGLE	UNIT: mm SCALE: 1:1 PROJ: 
		30~以上	±0.30			
		10~30	±0.20			
		5~10	±0.15			
		~ 5	±0.10			
				±2'	DRAWING NO.	SHEET 1 OF 1

ECN NO.	REV.	DATE.	DESCRIPTION.	CHANGE.	CHECK.	APPRO.
	A		NEW			

**ROHS**



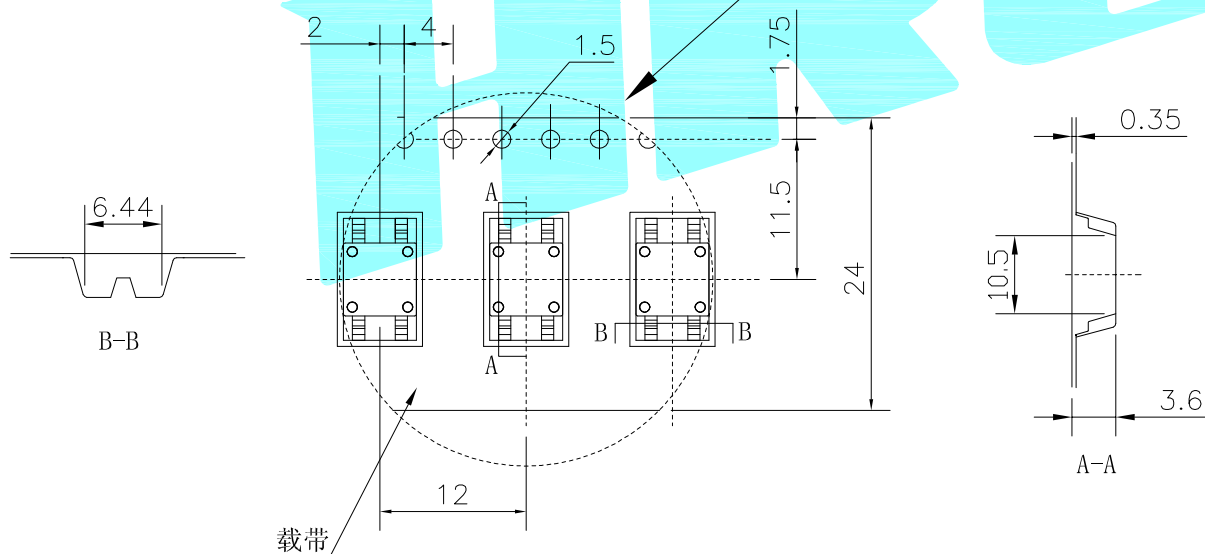
卷轴



**包装规格**

项目	说明
包装	卡通箱
转轴	聚丙烯
载带	聚丙烯

成品每卷包装数量1000PCS。



ITEM	PART NAME	TER'NO.	QTY.	MATERIAL	FINISHING	REMARK
APPROVALS			DATE	 ELECTRONICS CO.,LTD		
DRAWN		J.X.Zhang	2018/8/1			
CHECKED				TITLE:		DETECTOR SWITCHS
APPROVALS				PART NO.		K5-1672SN-01
TOLERANCES ARE		30~以上 ±0.30	10~30 ±0.20	ANGLE	UNIT: mm	SCALE: 1:1
		5~10 ±0.15	~ 5 ±0.10	±2'	DRAWING NO.	PROJ:  SHEET 1 OF 1

ECN NO.	REV.	DATE.	DESCRIPTION.	CHANGE.	CHECK.	APPRO.
	A		NEW			