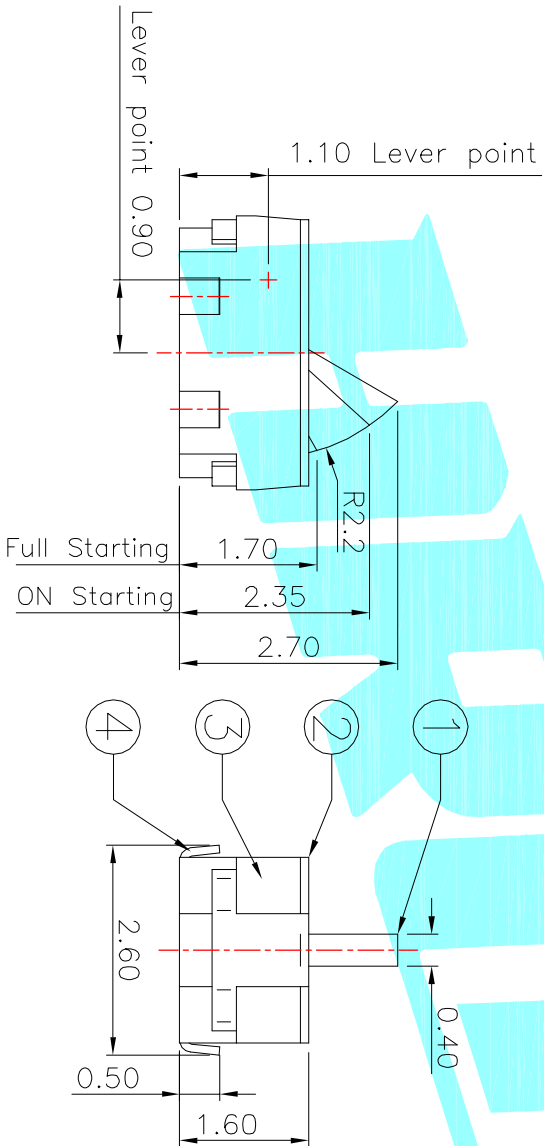
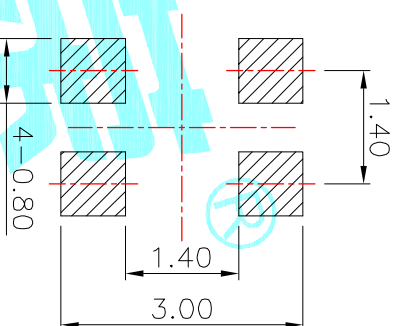


Circuit Diagram



NOTE:
 Rating: DC 12V 50mA
 Operating Force: 20±10gf
 Lifetime: 100,000 Cycles

ITEM	PART NAME	TER'NO.	QTY.	MATERIAL	FINISHING	REMARK
⑥	Spring plate	—	1	SUS	Natural	—
⑤	Contact Spring	—	1	Phosphor Bronze	Ag Plated	—
④	Terminal	—	4	Phosphor Bronze	Ag Plated	—
③	Base	—	1	LCP	Black	—
②	Cover	—	1	SUS	Natural	—
①	Slider	—	1	PA46	Black	—

APPROVALS		DATE	TITLE:	
DRAWN	J.X.Zhang	2013/9/18	DETECTOR SWITCHES	

ECN NO.	REV.	DATE.	DESCRIPTION.	CHANGE.	CHECK.	APPRO.
	A		NEW			

TOLERANCES ARE		ANGLE	UNIT:	SCALE:	PROJ:	SHEET
30~12.5	±0.30	±2'	mm	1:1	1st	1 OF 1
10~30	±0.20					
5~10	±0.15					
~5	±0.10					



ELECTRONICS CO., LTD

K5-1658UN-01