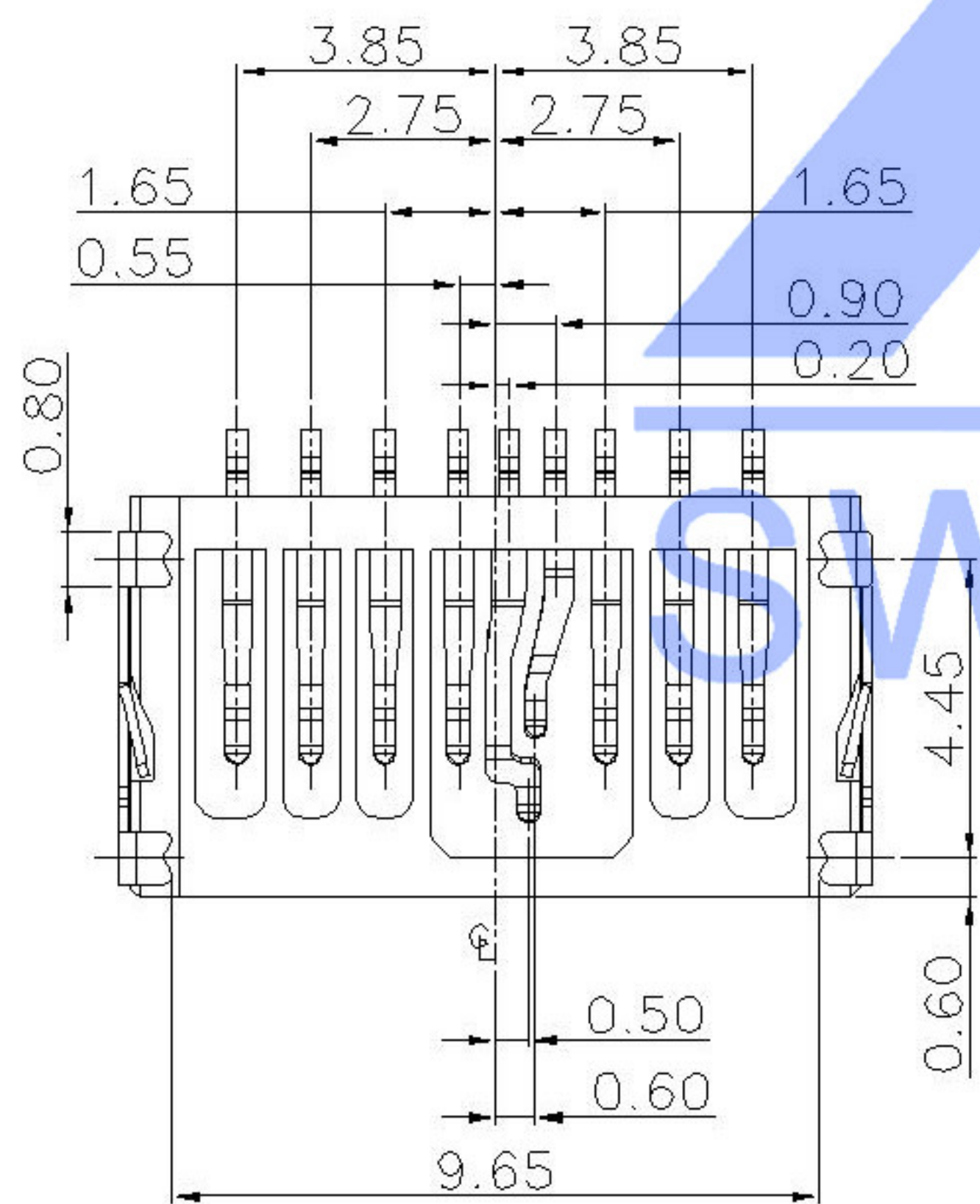


RECOMMENDED PCB LAYOUT
TOL:(±0.05)

- NOTE:
- ELECTRICAL CHARACTERISTICS
 - CONTACT RESISTANCE: 80 milliohms MAX.
 - INSULATION RESISTANCE: 1,000 Megohms MIN.
 - DIELECTRIC WITHSTANDING VOLTAGE: 500V AC FOR 1 MINUTE.
 - RoHS 2002/95/EC COMPLIANT.



P8	DAT1
P7	DAT0
P6	VSS
P5	CLK
G1	SWITCH
P4	VDD
P3	CMD
P2	CD/DAT3
P1	DAT2
PIN NUMBER	PIN NUMBER

ITEM	PAPT NAMF	QTY	MATERIAL	FINISHING
③	Shell	1	SUS	
②	Terminal	9	COPPER ALLOY	
①	Housing	1	HI-TEMP.PLASIC UL 94V-0	BLACK

MARK	DESCRIPTION	DATE	REVISED	APPROVED	UNSPECIFIED TOLERANCES	DSND	DATE	SCALE: N/A	MODEL TYPE: TF CARD CONN
Δx					ANGLAR ±5°	DWN	DATE	VIEW:	PART NO.:
Δx					L ≤ 4 ±0.2	CHKD	DATE	UNIT: mm	DWG NO.:
Δx					4 < L ≤ 16 ±0.3	APPD	DATE	SIZE: A4	XKTF-0803-0
					16 < L ≤ 63 ±0.4				WEIGHT
					L > 63 ±0.5				SHEET
									REVISION
									1.0g
									1/1
									A0