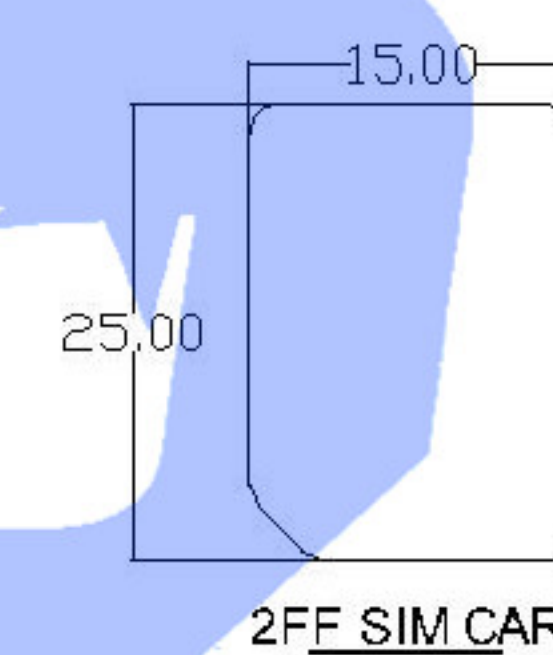


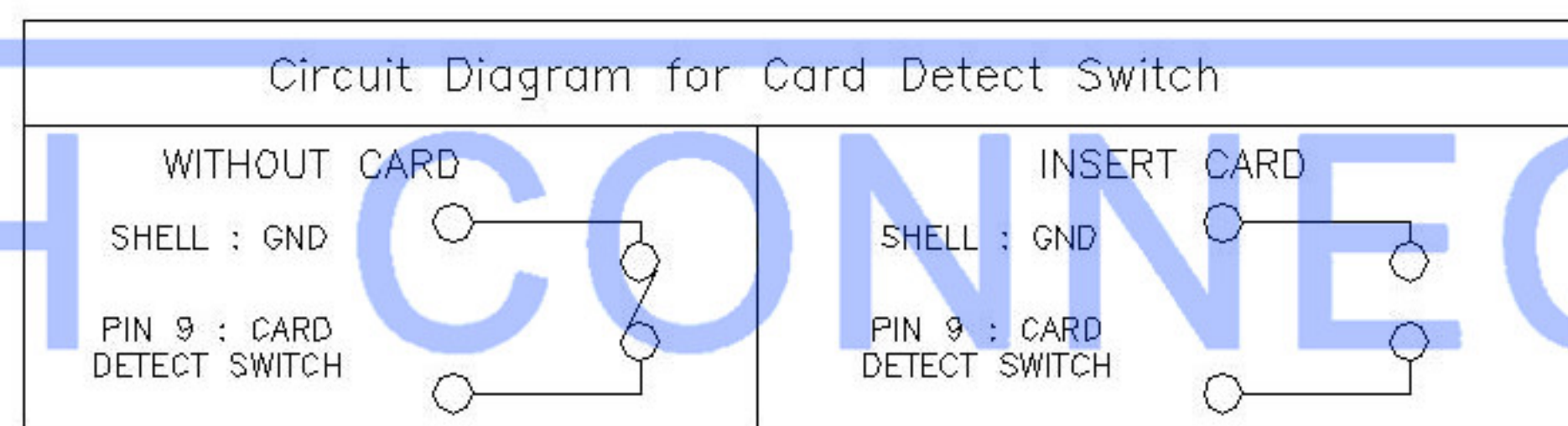
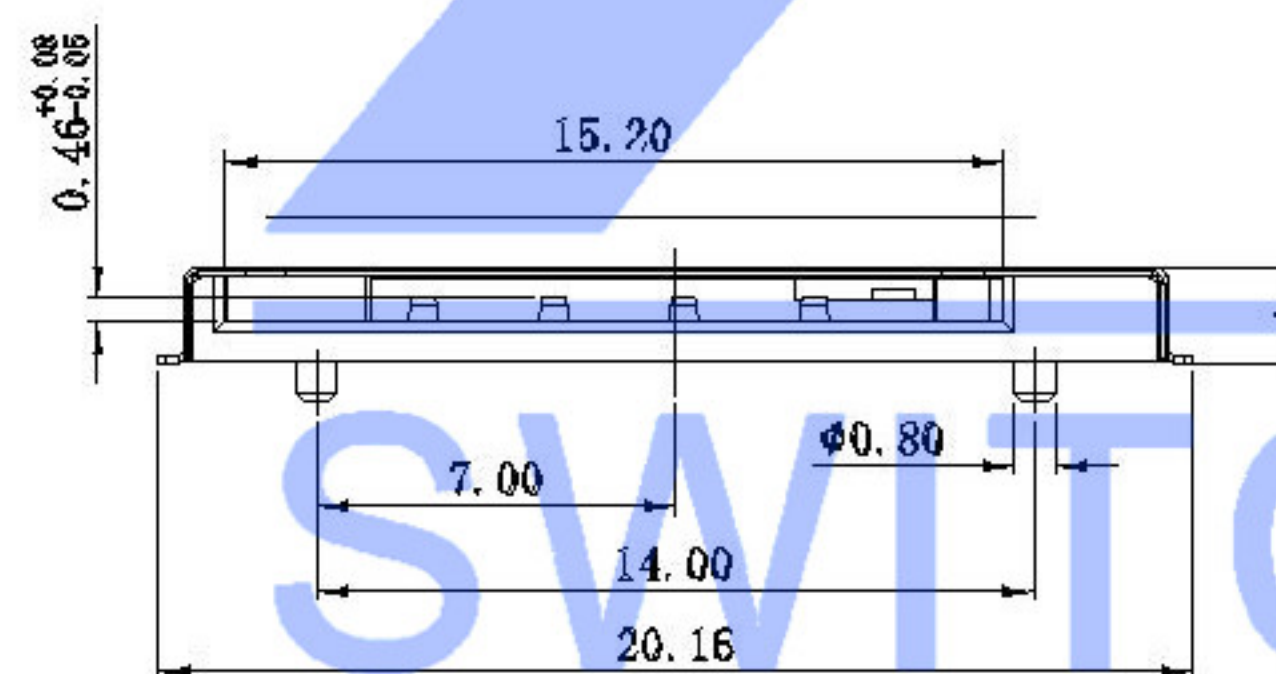
Specification:

*Electrical Characteristics:
 Current Rating;1.5A.
 Withstanding Voltage:AC500V r.m.s.
 Insulation Resistance:1000Megohms
 Minimum at DC 500V
 Contact Resistance:100Miliohms
 Maximum.
 *Mechanical Characteristics:
 Mating Cyeles:5000 Insertions.

PART NUMBER INFORMATION



Connector terminal NO.	Pin NO.
Pin 1	VCC:PWR signal and GND
Pin 2	RST:Reset signal
Pin 3	CLK:Clocking signal
Pin 4	RESERVED
Pin 5	GND:PWR signal and GND
Pin 6	VPP:Porgramming Voltage
Pin 7	I/O:Serial date input/output
Pin 8	RESERVED



ITEM	PAPT NAMF	QTY	MATERIAL	FINISHING
③	Shell	1	SUS	
②	Terminal	9	COPPER ALLOY	
①	Housing	1	LCP UL 94V-0	BLACK

MARK	DESCRIPTION	DATE	REVISED	APPROVED	UNSPECIFIED TOLERANCES	DSND	DATE	SCALE: N/A	MODEL TYPE: SIM CARD CONN
ΔX					ANGLAR ±5°	DWN	DATE	VIEW:	PART NO.:
ΔX					L ≤ 4 ±0.2	CHKD	DATE	UNIT: mm	DWG NO.:
ΔX					4 < L ≤ 16 ±0.3	APPD	DATE	SIZE: A4	KKSIM-220
MARK					16 < L ≤ 63 ±0.4				WEIGHT
					L > 63 ±0.5				SHEET
									REVISION
									1.0g
									1/1
									A0

