

Specifications

Current Rating: 0.5A AC,DC(Per Pin)
Voltage Rating: 50V AC,DC(Per Pin)
Temperature Range: -25°C ~ +85°C
Contact Resistance: 30mΩ Max.
Insulation Resistance: 500MΩ Min.
Withstanding Voltage: 500V AC/minute
Contact H.R for Details

Standards



E179987

Ordering Code

① F1015 ② XX ③ -X ④ -XP

- ① Series No.
- ② Connector Type: WR=Right Angle
- ③ Mounting Type: S=SMT
- ④ No. of Circuits



F1015WR-S

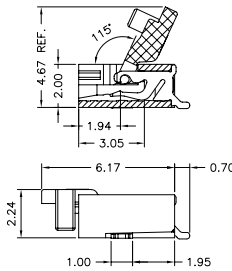
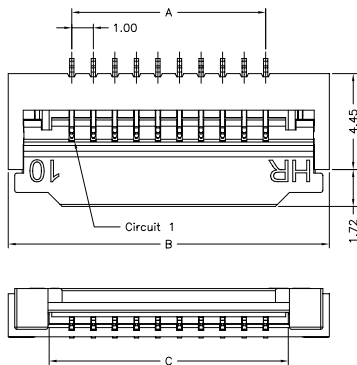
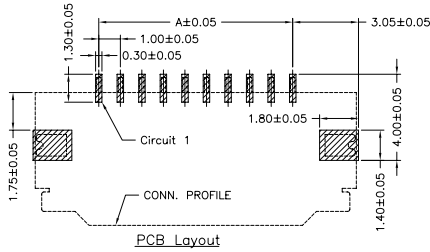
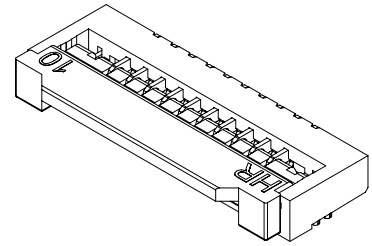
1.00mm Pitch FFC/FPC 90° Connector, ZIF, SMT Type, _____ Bottom Contact Style

Reference Information:

- *Material: Pin: Copper Alloy
- Solder Tabs: Copper Alloy
- Housing: Thermoplastic
- Actuator: Thermoplastic

F1015WR-S-XP	X	X	X	XX	X	XX	X
	①	②	③	④	⑤	⑥	⑦

① Halogen Free or Not
 ② Material
 ③ Color
 ④ Plating Code for Contacts
 ⑤ Plating Code
 ⑥ Option Code:
 ⑦ Packing Code



Dimensions:

Circuit No.	Dimensions			Circuit No.	Dimensions		
	A	B	C		A	B	C
04	3.00	8.90	5.10	23	22.00	27.90	24.10
05	4.00	9.90	6.10	24	23.00	28.90	25.10
06	5.00	10.90	7.10	25	24.00	29.90	26.10
07	6.00	11.90	8.10	26	25.00	30.90	27.10
08	7.00	12.90	9.10	27	26.00	31.90	28.10
09	8.00	13.90	10.10	28	27.00	32.90	29.10
10	9.00	14.90	11.10	29	28.00	33.90	30.10
11	10.00	15.90	12.10	30	29.00	34.90	31.10
12	11.00	16.90	13.10	31	30.00	35.90	32.10
13	12.00	17.90	14.10	32	31.00	36.90	33.10
14	13.00	18.90	15.10	33	32.00	37.90	34.10
15	14.00	19.90	16.10	34	33.00	38.90	35.10
16	15.00	20.90	17.10	35	34.00	39.90	36.10
17	16.00	21.90	18.10	36	35.00	40.90	37.10
18	17.00	22.90	19.10	37	36.00	41.90	38.10
19	18.00	23.90	20.10	38	37.00	42.90	39.10
20	19.00	24.90	21.10	39	38.00	43.90	40.10
21	20.00	25.90	22.10	40	39.00	44.90	41.10
22	21.00	26.90	23.10	41	40.00	45.90	42.10

Unit:mm

A
B
C
F