

Specifications

Current Rating: 0.5A AC,DC(Per Pin)
 Voltage Rating: 50V AC,DC(Per Pin)
 Temperature Range: -25°C ~ +85°C
 Contact Resistance: 30mΩ Max.
 Insulation Resistance: 100MΩ Min.
 Withstanding Voltage: 250V AC/minute
 Contact H.R for Details

A
B
C
F

Standards



Ordering Code

① ② ③ ④ ⑤
F0500 XX X-X-XP

- ① Series No.
- ② Connector Type: WR=Right Angle,WV=Vertical
- ③ Blank=Normal Type, A=Reverse Type
- ④ Mounting Type: S=SMT
- ⑤ No. of Circuits



F0500 SERIES

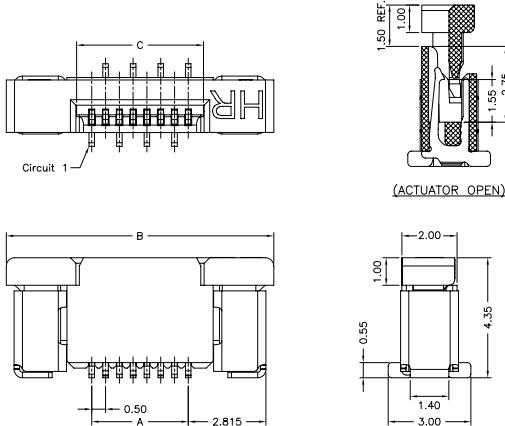
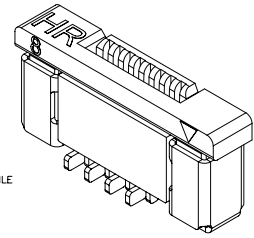
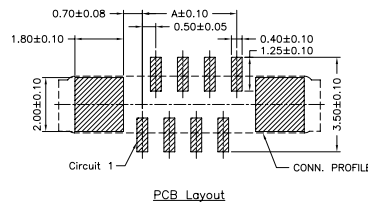
0.50mm Pitch FFC/FPC Connector

F0500WV-S

0.50mm Pitch FFC/FPC 180° Connector, ZIF, SMT Type

Reference Information:

- *Material: Pin: Copper Alloy
- Solder Tabs: Copper Alloy
- Housing: Thermoplastic
- Actuator: Thermoplastic



F0500WV-S-XP X X X XX X XX X

① ② ③ ④ ⑤ ⑥ ⑦

- ① Halogen Free or Not
- ② Material
- ③ Color
- ④ Plating Code for Contacts
- ⑤ Plating Code
- ⑥ Option Code
- ⑦ Packing Code

Dimensions:

Circuit No.	Dimensions			Circuit No.	Dimensions		
	A	B	C		A	B	C
04	1.50	7.70	2.60	25	12.00	18.20	13.10
05	2.00	8.20	3.10	26	12.50	18.70	13.60
06	2.50	8.70	3.60	27	13.00	19.20	14.10
07	3.00	9.20	4.10	28	13.50	19.70	14.60
08	3.50	9.70	4.60	29	14.00	20.20	15.10
09	4.00	10.20	5.10	30	14.50	20.70	15.60
10	4.50	10.70	5.60	31	15.00	21.20	16.10
11	5.00	11.20	6.10	32	15.50	21.70	16.60
12	5.50	11.70	6.60	33	16.00	22.20	17.10
13	6.00	12.20	7.10	34	16.50	22.70	17.60
14	6.50	12.70	7.60	35	17.00	23.20	18.10
15	7.00	13.20	8.10	36	17.50	23.70	18.60
16	7.50	13.70	8.60	37	18.00	24.20	19.10
17	8.00	14.20	9.10	38	18.50	24.70	19.60
18	8.50	14.70	9.60	39	19.00	25.20	20.10
19	9.00	15.20	10.10	40	19.50	25.70	20.60
20	9.50	15.70	10.60	45	22.00	28.20	23.10
21	10.00	16.20	11.10	49	24.00	30.20	25.10
22	10.50	16.70	11.60	50	24.50	30.70	25.60
23	11.00	17.20	12.10	51	25.00	31.20	26.10
24	11.50	17.70	12.60				

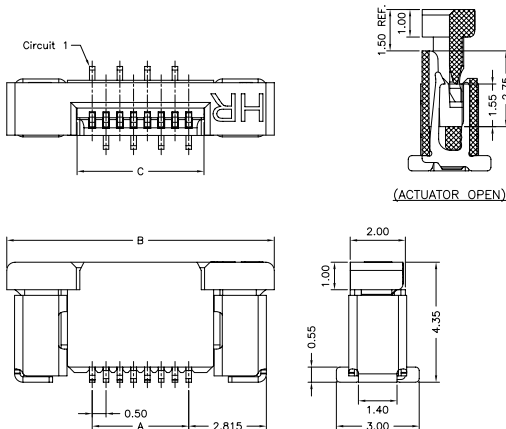
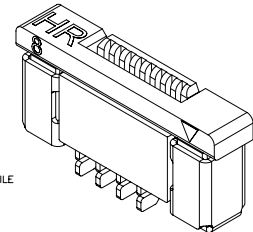
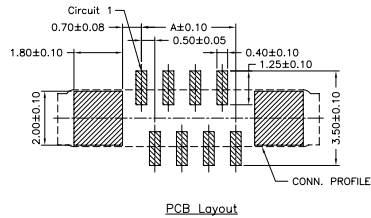
Unit:mm

F0500WVA-S

0.50mm Pitch FFC/FPC 180° Connector, ZIF, SMT Type, Reverse Type

Reference Information:

- *Material: Pin: Copper Alloy
- Solder Tabs: Copper Alloy
- Housing: Thermoplastic
- Actuator: Thermoplastic



F0500WVA-S-XP X X X XX X XX X

① ② ③ ④ ⑤ ⑥ ⑦

- ① Halogen Free or Not
- ② Material
- ③ Color
- ④ Plating Code for Contacts
- ⑤ Plating Code
- ⑥ Option Code
- ⑦ Packing Code

Dimensions:

Circuit No.	Dimensions			Circuit No.	Dimensions		
	A	B	C		A	B	C
04	1.50	7.70	2.60	25	12.00	18.20	13.10
05	2.00	8.20	3.10	26	12.50	18.70	13.60
06	2.50	8.70	3.60	27	13.00	19.20	14.10
07	3.00	9.20	4.10	28	13.50	19.70	14.60
08	3.50	9.70	4.60	29	14.00	20.20	15.10
09	4.00	10.20	5.10	30	14.50	20.70	15.60
10	4.50	10.70	5.60	31	15.00	21.20	16.10
11	5.00	11.20	6.10	32	15.50	21.70	16.60
12	5.50	11.70	6.60	33	16.00	22.20	17.10
13	6.00	12.20	7.10	34	16.50	22.70	17.60
14	6.50	12.70	7.60	35	17.00	23.20	18.10
15	7.00	13.20	8.10	36	17.50	23.70	18.60
16	7.50	13.70	8.60	37	18.00	24.20	19.10
17	8.00	14.20	9.10	38	18.50	24.70	19.60
18	8.50	14.70	9.60	39	19.00	25.20	20.10
19	9.00	15.20	10.10	40	19.50	25.70	20.60
20	9.50	15.70	10.60	45	22.00	28.20	23.10
21	10.00	16.20	11.10	49	24.00	30.20	25.10
22	10.50	16.70	11.60	50	24.50	30.70	25.60
23	11.00	17.20	12.10	51	25.00	31.20	26.10
24	11.50	17.70	12.60				

Unit:mm



F0500 SERIES

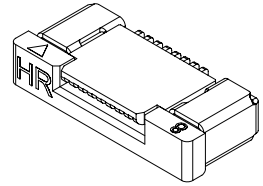
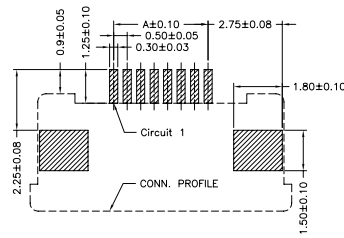
0.50mm Pitch FFC/FPC Connector

F0500WR-S

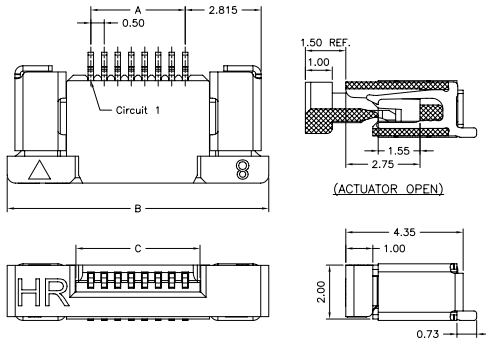
0.50mm Pitch FFC/FPC 90° Connector, ZIF, SMT Type, _____ Top Contact Style

Reference Information:

- *Material: Pin: Copper Alloy
- Solder Tabs: Copper Alloy
- Housing: Thermoplastic
- Actuator: Thermoplastic



Dimensions: PCB Layout



F0500WR-S-XP X X X XX X TO X

① ② ③ ④ ⑤ ⑥ ⑦

- ① Halogen Free or Not
- ② Material
- ③ Color
- ④ Plating Code for Contacts
- ⑤ Plating Code
- ⑥ Option Code: T0=Top Contact Style
- ⑦ Packing Code

Circuit No.	Dimensions			Circuit No.	Dimensions		
	A	B	C		A	B	C
04	1.50	7.70	2.60	25	12.00	18.20	13.10
05	2.00	8.20	3.10	26	12.50	18.70	13.60
06	2.50	8.70	3.60	27	13.00	19.20	14.10
07	3.00	9.20	4.10	28	13.50	19.70	14.60
08	3.50	9.70	4.60	29	14.00	20.20	15.10
09	4.00	10.20	5.10	30	14.50	20.70	15.60
10	4.50	10.70	5.60	31	15.00	21.20	16.10
11	5.00	11.20	6.10	32	15.50	21.70	16.60
12	5.50	11.70	6.60	33	16.00	22.20	17.10
13	6.00	12.20	7.10	34	16.50	22.70	17.60
14	6.50	12.70	7.60	35	17.00	23.20	18.10
15	7.00	13.20	8.10	36	17.50	23.70	18.60
16	7.50	13.70	8.60	37	18.00	24.20	19.10
17	8.00	14.20	9.10	38	18.50	24.70	19.60
18	8.50	14.70	9.60	39	19.00	25.20	20.10
19	9.00	15.20	10.10	40	19.50	25.70	20.60
20	9.50	15.70	10.60	45	22.00	28.20	23.10
21	10.00	16.20	11.10	49	24.00	30.20	25.10
22	10.50	16.70	11.60	50	24.50	30.70	25.60
23	11.00	17.20	12.10	51	25.00	31.20	26.10
24	11.50	17.70	12.60				

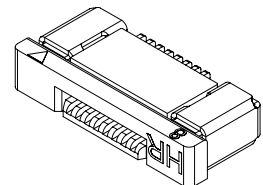
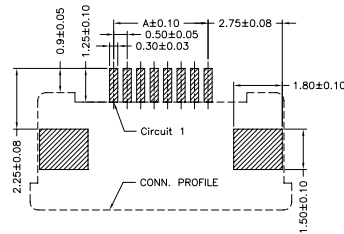
Unit:mm

F0500WR-S

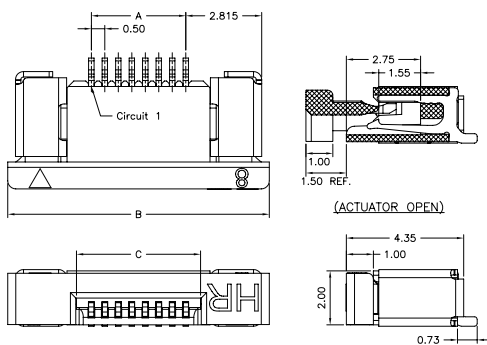
0.50mm Pitch FFC/FPC 90° Connector, ZIF, SMT Type, _____ Bottom Contact Style

Reference Information:

- *Material: Pin: Copper Alloy
- Solder Tabs: Copper Alloy
- Housing: Thermoplastic
- Actuator: Thermoplastic



Dimensions: PCB Layout



F0500WR-S-XP X X X XX X B0 X

① ② ③ ④ ⑤ ⑥ ⑦

- ① Halogen Free or Not
- ② Material
- ③ Color
- ④ Plating Code for Contacts
- ⑤ Plating Code
- ⑥ Option Code: B0=Bottom Contact Style
- ⑦ Packing Code

Circuit No.	Dimensions			Circuit No.	Dimensions		
	A	B	C		A	B	C
04	1.50	7.70	2.60	25	12.00	18.20	13.10
05	2.00	8.20	3.10	26	12.50	18.70	13.60
06	2.50	8.70	3.60	27	13.00	19.20	14.10
07	3.00	9.20	4.10	28	13.50	19.70	14.60
08	3.50	9.70	4.60	29	14.00	20.20	15.10
09	4.00	10.20	5.10	30	14.50	20.70	15.60
10	4.50	10.70	5.60	31	15.00	21.20	16.10
11	5.00	11.20	6.10	32	15.50	21.70	16.60
12	5.50	11.70	6.60	33	16.00	22.20	17.10
13	6.00	12.20	7.10	34	16.50	22.70	17.60
14	6.50	12.70	7.60	35	17.00	23.20	18.10
15	7.00	13.20	8.10	36	17.50	23.70	18.60
16	7.50	13.70	8.60	37	18.00	24.20	19.10
17	8.00	14.20	9.10	38	18.50	24.70	19.60
18	8.50	14.70	9.60	39	19.00	25.20	20.10
19	9.00	15.20	10.10	40	19.50	25.70	20.60
20	9.50	15.70	10.60	45	22.00	28.20	23.10
21	10.00	16.20	11.10	49	24.00	30.20	25.10
22	10.50	16.70	11.60	50	24.50	30.70	25.60
23	11.00	17.20	12.10	51	25.00	31.20	26.10
24	11.50	17.70	12.60				

Unit:mm

A
B
C
F