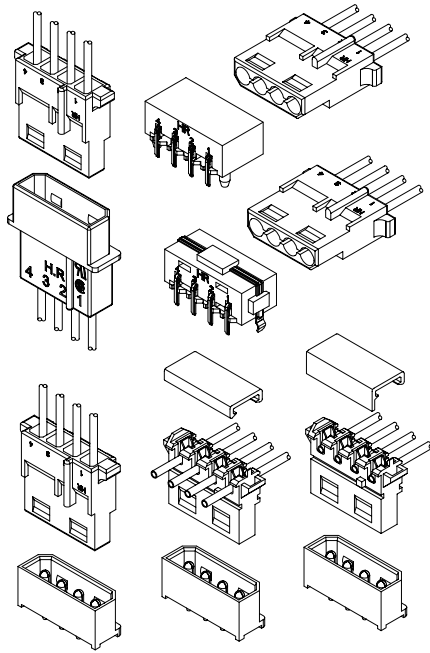




# C5080 SERIES

5.08mm Pitch Wire to Wire and Wire to Board Connector



## Specifications

Current Rating: 4A~10A AC,DC(Per Pin)  
 Voltage Rating: 250V AC,DC(Per Pin)  
 Temperature Range: -25°C ~ +85°C  
 Contact Resistance: 10mΩ Max.  
 Insulation Resistance: 1000MΩ Min.  
 Withstanding Voltage: 1500V AC/minute  
 \*Contact H.R for Details\*

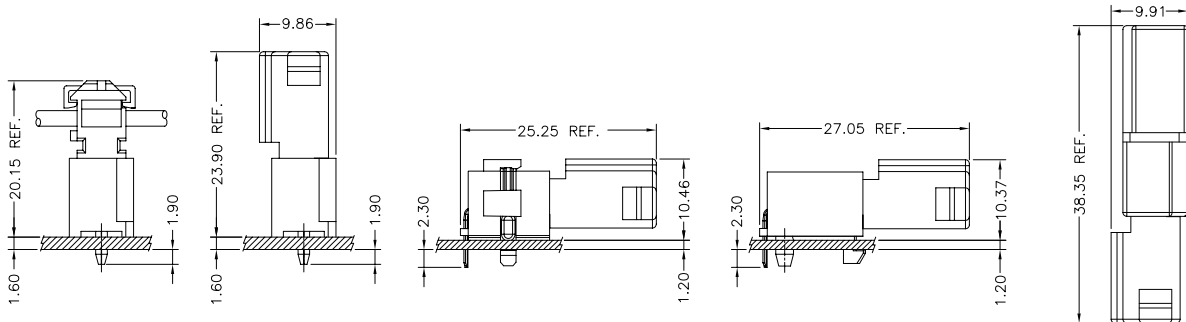
A  
B  
C  
F

## Standards



R 50004394

## Assembly Layout



## Ordering Code

① C5080 ② X-X ③ X ④ X-X ⑤ ⑥

- ① Series No.
- ② Terminal Type: F=Female, M=Male
- ③ Plating Code: T=Tin-Plated
- ④ Material: B=Brass
- ⑤ E=Stamping Before Plating
- ⑥ Option Code: (Refer to Drawings)

① C5080 ② XX-XP ③

- ① Series No.
- ② Housing Type: HF=Receptacle, HM=Plug, HI=I.D.C. Connector
- ③ No. of Circuits

① C5080 ② XX-X-XP ③ ④

- ① Series No.
- ② Connector Type: WR=Right Angle, WV=Vertical
- ③ Blank=Normal Type, F=With Post
- ④ No. of Circuits



# C5080 SERIES

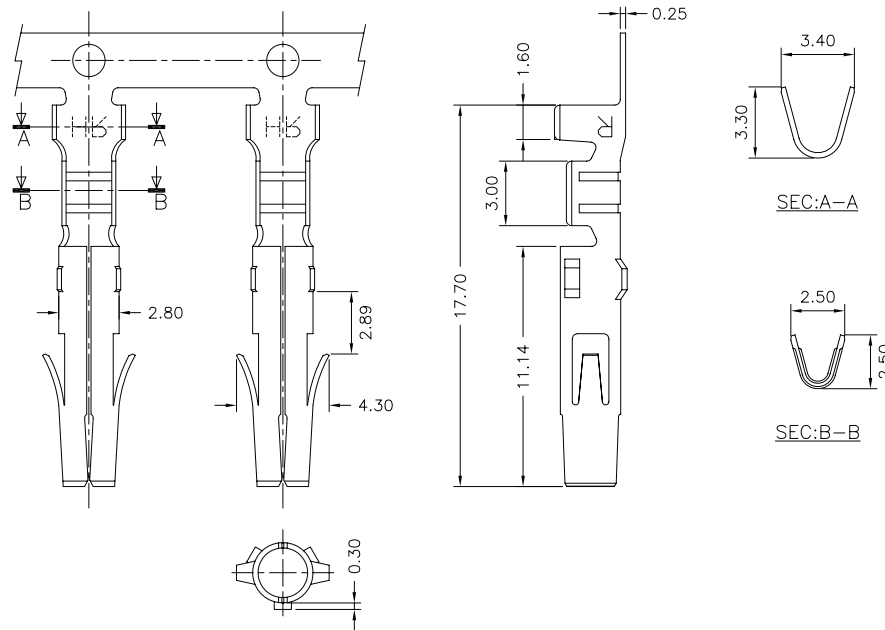
5.08mm Pitch Wire to Wire and Wire to Board Connector

## C5080F-XXX

5.08mm Pitch Crimp Terminal

### Reference Information:

\*Used in H.R C5080HF Series Housing



Ordering Information & Specifications:

Unit:mm

Part No.	Wire Range	Insulation O.D.	Material	Finish	Qty/Reel
C5080F-TBE	AWG#18-#24	2.50mm(Max)	Brass	Tin-Plated	7,000Pcs

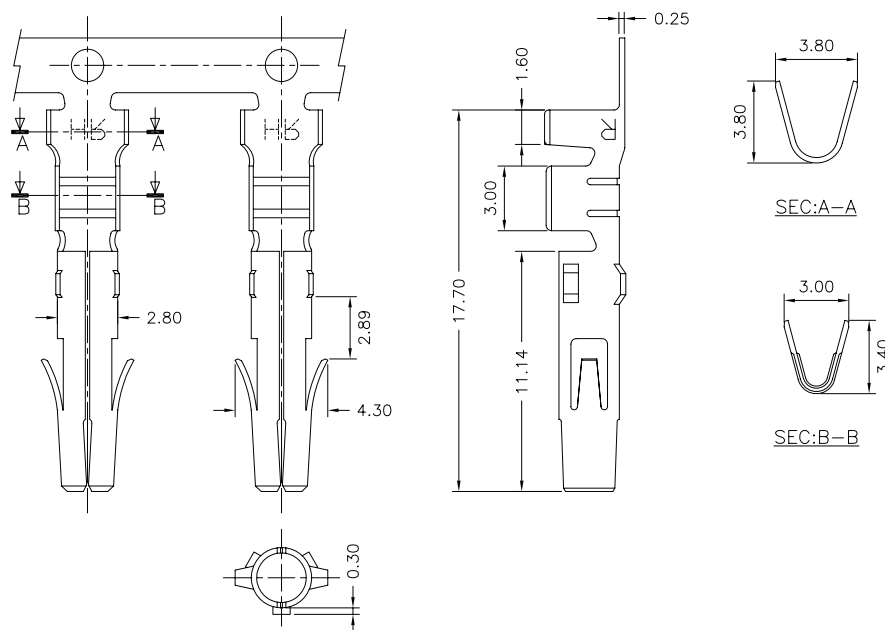
Note:E-Stamping Before Plating

## C5080F-XXX

5.08mm Pitch Crimp Terminal

### Reference Information:

\*Used in H.R C5080HF Series Housing



Ordering Information & Specifications:

Unit:mm

Part No.	Wire Range	Insulation O.D.	Material	Finish	Qty/Reel
C5080F-TBE-H	AWG#14-#20	3.30mm(Max)	Brass	Tin-Plated	7,000Pcs

Note:E-Stamping Before Plating





# C5080 SERIES

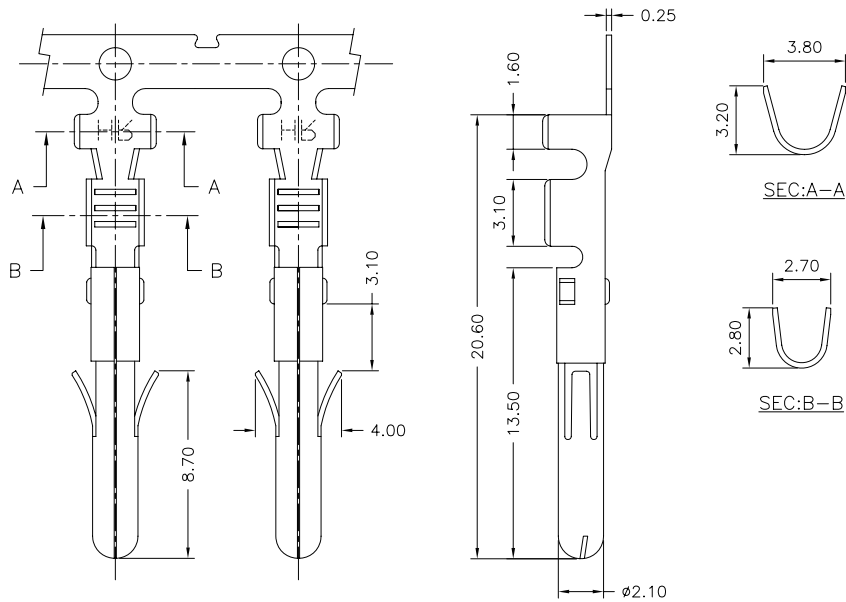
5.08mm Pitch Wire to Wire and Wire to Board Connector

## C5080M-XXX

5.08mm Pitch Crimp Terminal

### Reference Information:

\*Used in H.R C5080HM Series Housing



### Ordering Information & Specifications:

Unit:mm

Part No.	Wire Range	Insulation O.D.	Material	Finish	Qty/Reel
C5080M-TBE	AWG#18-#24	2.50mm(Max)	Brass	Tin-Plated	7,000Pcs

Note:E-Stamping Before Plating

## C5080HF-04P

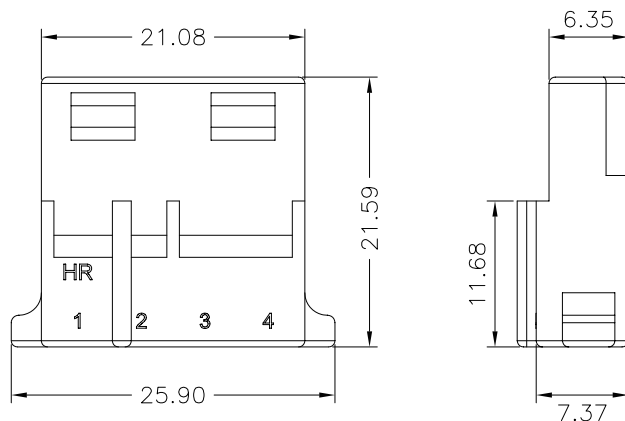
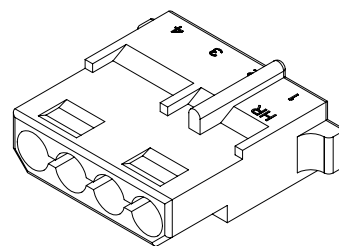
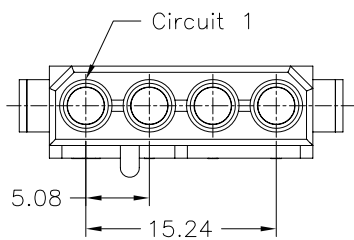
5.08mm Pitch Housing

### Reference Information:

\*Material: Thermoplastic

\*Suitable H.R C5080F Series Terminal

\*Mates with H.R C5080HM Series Housing or C5080 Series Wafer



C5080HF-XP		X	X	X	XX	X	XX	X
		①	②	③	④	⑤	⑥	⑦
①	Halogen Free or Not							
②	Material							
③	Color							
④	Plating Code for Contacts							
⑤	Plating Code							
⑥	Option Code							
⑦	Packing Code							



# C5080 SERIES

5.08mm Pitch Wire to Wire and Wire to Board Connector

## C5080HM-04P

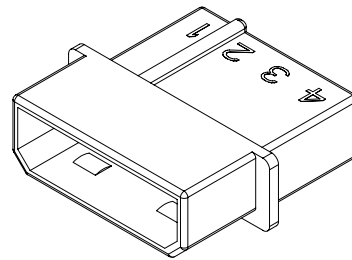
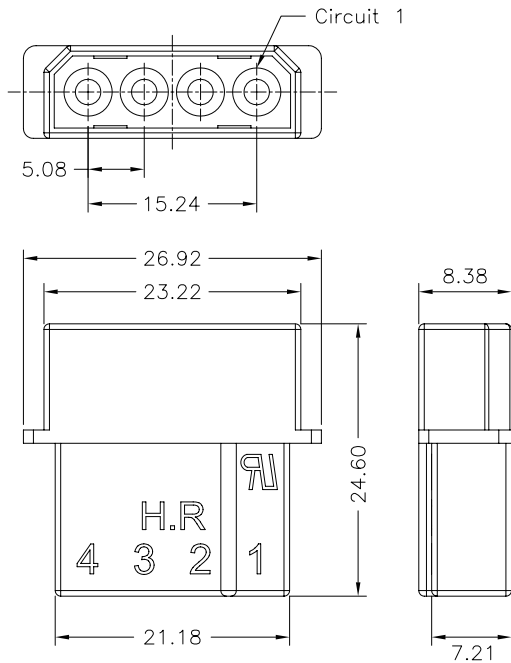
5.08mm Pitch Housing

### Reference Information:

\*Material: Thermoplastic

\*Suitable H.R C5080M Series Terminal

\*Mates with H.R C5080HF Series Housing or C5080HI Series I.D.C. Connector



C5080HM-XP	X	X	X	XX	X	XX	X
	①	②	③	④	⑤	⑥	⑦

① Halogen Free or Not  
 ② Material  
 ③ Color  
 ④ Plating Code for Contacts  
 ⑤ Plating Code  
 ⑥ Option Code  
 ⑦ Packing Code

A  
B  
C  
F

## C5080HI-04P

5.08mm Pitch Insulation Displacement Connector

### Reference Information:

\*Material: Terminal: Copper Alloy

Housing: Thermoplastic

Cap: Thermoplastic

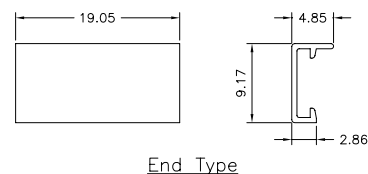
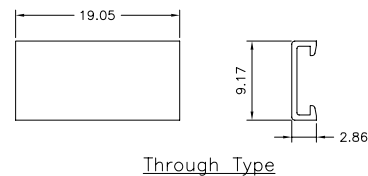
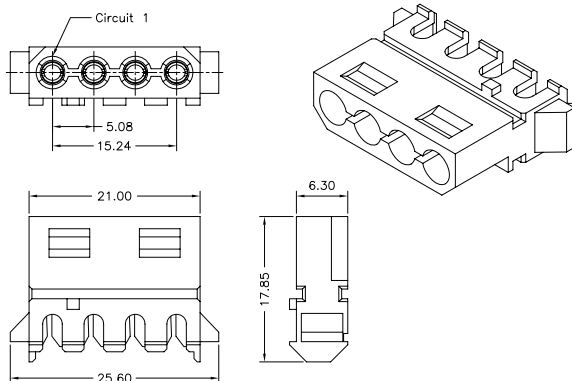
\*Mates with H.R C5080HM Series Housing or C5080 Series Wafer

C5080HI-XP	X	X	X	XX	X	XX	X
	①	②	③	④	⑤	⑥	⑦

① Halogen Free or Not  
 ② Material  
 ③ Color  
 ④ Plating Code for Contacts  
 ⑤ Plating Code  
 ⑥ Option Code: 16=AWG#16, 18=AWG#18, 20=AWG#20, 22=AWG#22  
 ⑦ Packing Code

C5080HI-XP	X	X	X	XX	X	XX	X
	①	②	③	④	⑤	⑥	⑦

① Halogen Free or Not  
 ② Material  
 ③ Color  
 ④ Plating Code for Contacts  
 ⑤ Plating Code  
 ⑥ Option Code: C0=Through Type, CA=End Type  
 ⑦ Packing Code





# C5080 SERIES

5.08mm Pitch Wire to Wire and Wire to Board Connector

## C5080WV-04P

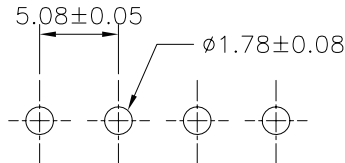
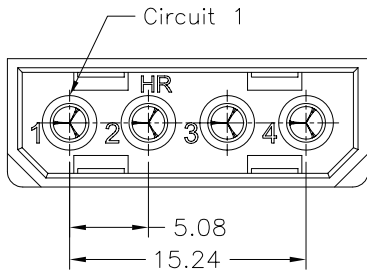
5.08mm Pitch 180° Wafer

### Reference Information:

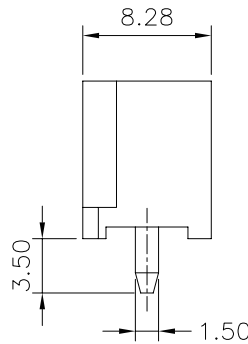
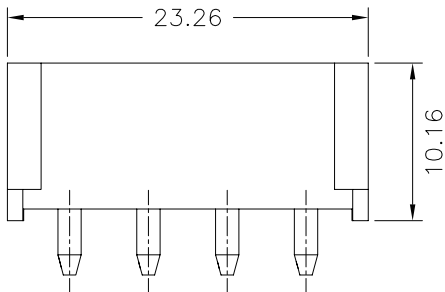
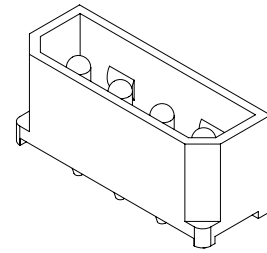
\*Material: Pin: Copper Alloy

Wafer: Thermoplastic

\*Mates with H.R C5080HF Series Housing or C5080HI Series I.D.C. Connector



PCB Layout



C5080WV-XP	X	X	X	XX	X	XX	X
	①	②	③	④	⑤	⑥	⑦

① Halogen Free or Not  
② Material  
③ Color  
④ Plating Code for Contacts  
⑤ Plating Code  
⑥ Option Code  
⑦ Packing Code

## C5080WR-04P

5.08mm Pitch 90° Wafer

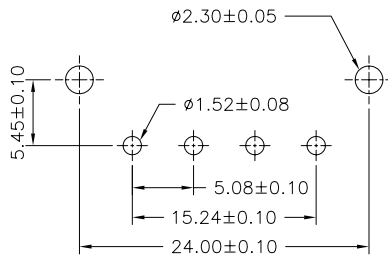
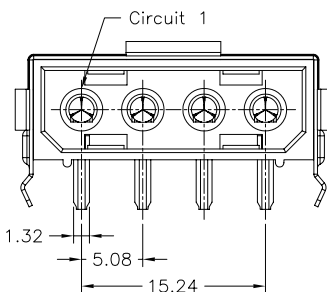
### Reference Information:

\*Material: Pin: Copper Alloy

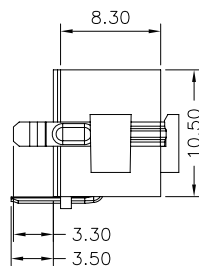
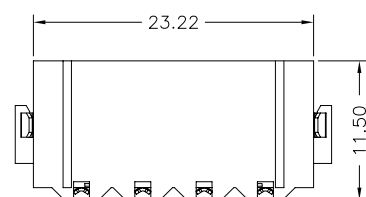
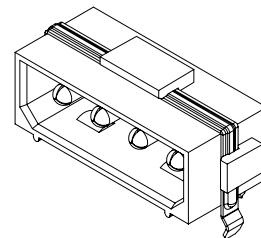
Metal Band: Copper Alloy

Wafer: Thermoplastic

\*Mates with H.R C5080HF Series Housing or C5080HI Series I.D.C. Connector



PCB Layout



C5080WR-XP	X	X	X	XX	X	XX	X
	①	②	③	④	⑤	⑥	⑦

① Halogen Free or Not  
② Material  
③ Color  
④ Plating Code for Contacts  
⑤ Plating Code  
⑥ Option Code  
⑦ Packing Code

A  
B  
C  
F



# C5080 SERIES

5.08mm Pitch Wire to Wire and Wire to Board Connector

## C5080WR-F-04P

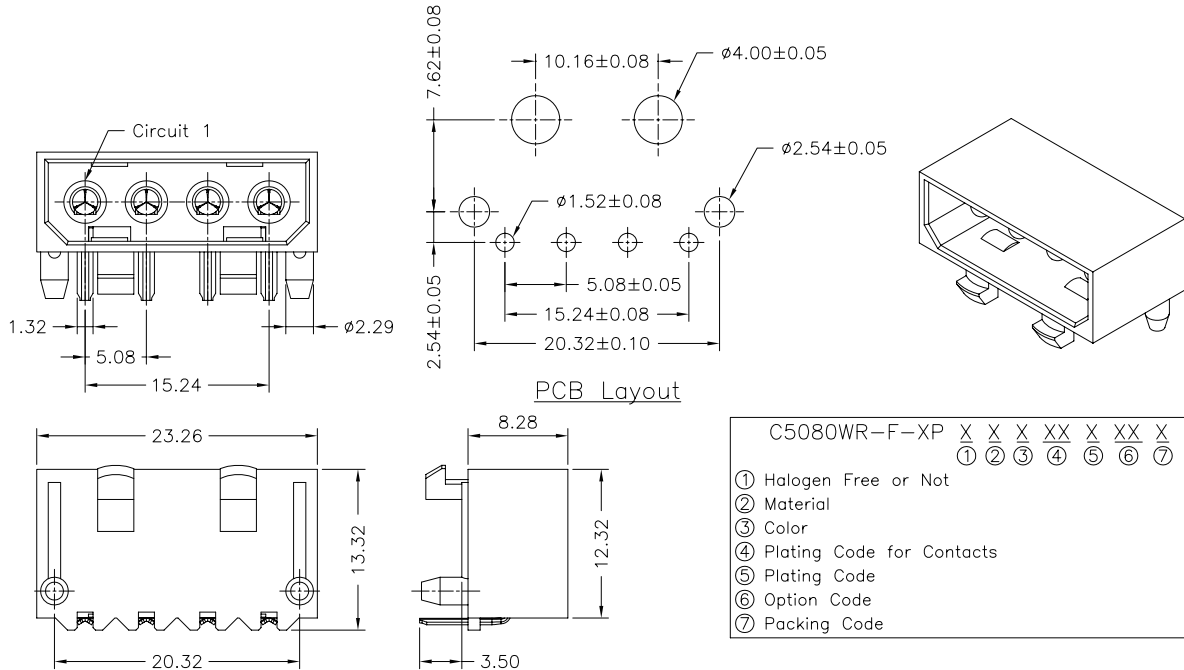
5.08mm Pitch 90° Wafer with Post

### Reference Information:

\*Material: Pin: Copper Alloy

Wafer: Thermoplastic

\*Mates with H.R C5080HF Series Housing or C5080HI Series I.D.C. Connector



A  
B  
C  
F

## C5080WR-04P

5.08mm Pitch 90° Wafer - Reverse Type

### Reference Information:

\*Material: Pin: Copper Alloy

Metal Band: Copper Alloy

Wafer: Thermoplastic

\*Mates with H.R C5080HF Series Housing or C5080HI Series I.D.C. Connector

