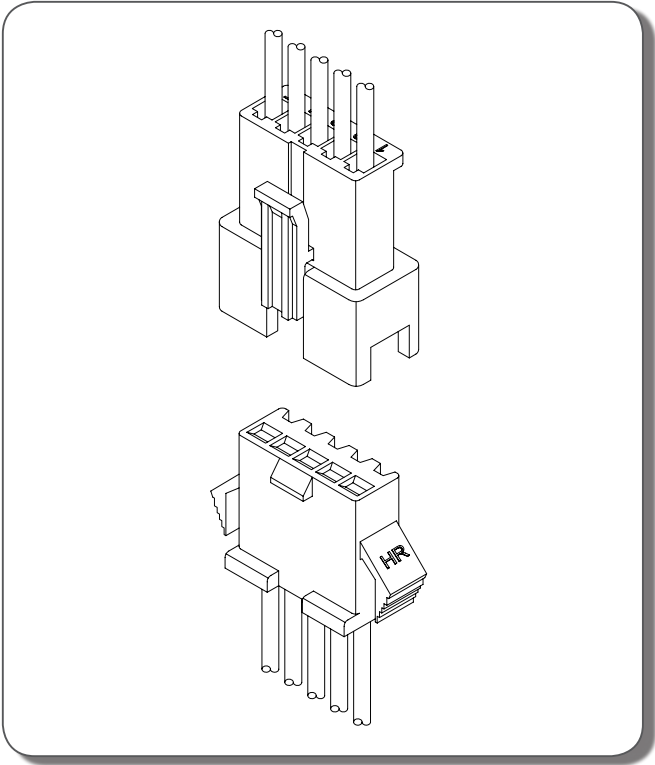




A
B
C
F



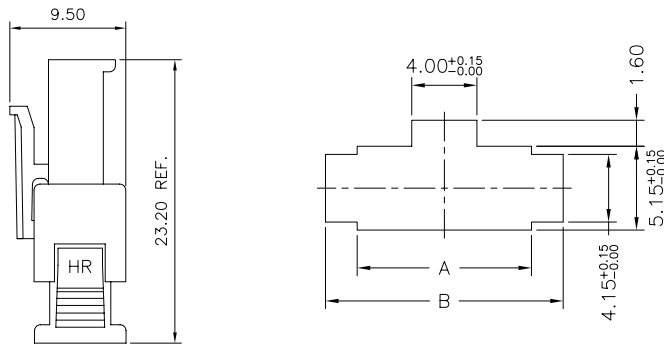
Specifications

Current Rating: 1.5A~3A AC,DC(Per Pin)
 Voltage Rating: 250V AC,DC(Per Pin)
 Temperature Range: -25°C ~ +85°C
 Contact Resistance: 10mΩ Max.
 Insulation Resistance: 500MΩ Min.
 Withstanding Voltage: 1500V AC/minute
 Contact H.R for Details

Standards



Assembly Layout and Panel Hole Layout



PART NO.	Dimensions	
	A	B
C2505HF-02P	5.70	9.60
C2505HF-03P	8.20	12.10
C2505HF-04P	10.70	14.60
C2505HF-05P	13.20	17.10
C2505HF-06P	15.70	19.60
C2505HF-07P	18.20	22.10
C2505HF-08P	20.70	24.60
C2505HF-09P	23.20	27.10
C2505HF-10P	25.70	29.60
C2505HF-11P	28.20	32.10
C2505HF-12P	30.70	34.60

Ordering Code

① C2505 ② X-X ③ X X

- ① Series No.
- ② Terminal Type: F=Female, M=Male
- ③ Plating code: T=Tin-Plated
G=Gold-Plated
- ④ Material: B=Brass
- ⑤ E=Stamping Before Plating

① C2505 ② XX-XP

- ① Series No.
- ② Housing Type: HF=Receptacle Housing
HM=Plug Housing
- ③ No. of Circuits

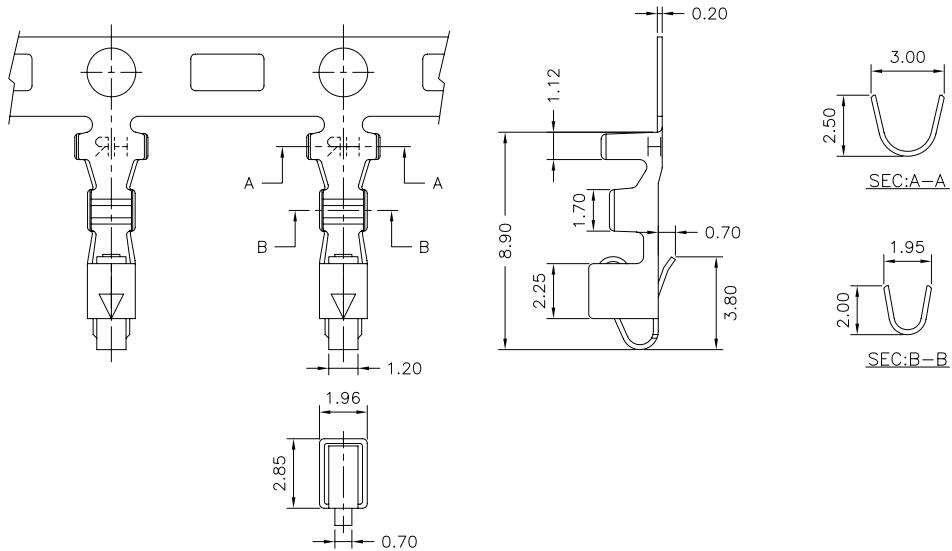


C2505F-XXX

— 2.50mm Pitch Crimp Terminal —

Reference Information:

*Used in H.R C2505HF Series Housing



Ordering Information & Specifications:

Unit:mm

Part No.	Wire Range	Insulation O.D.	Material	Finish	Qty/Reel
C2505F-TBE	AWG#22-#28	1.80mm(Max)	Brass	Tin-Plated	7,000Pcs

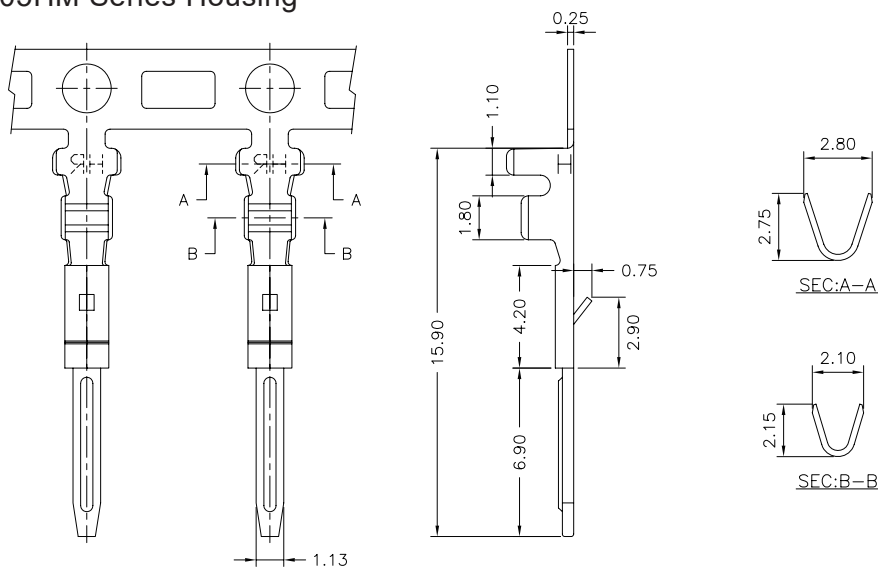
Note:E-Stamping Before Plating

C2505M-XXX

— 2.50mm Pitch Crimp Terminal —

Reference Information:

*Used in H.R C2505HM Series Housing



Ordering Information & Specifications:

Unit:mm

Part No.	Wire Range	Insulation O.D.	Material	Finish	Qty/Reel
C2505M-TBE	AWG#22-#28	1.80mm(Max)	Brass	Tin-Plated	7,000Pcs
C2505M-GBE	AWG#22-#28	1.80mm(Max)	Brass	Gold-Plated	7,000Pcs

Note:E-Stamping Before Plating



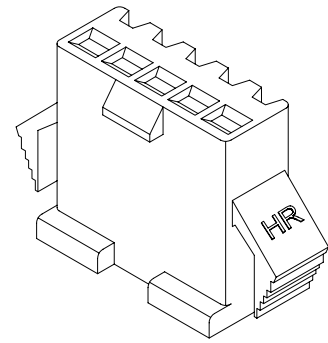


C2505HF

2.50mm Pitch Housing - Receptacle

Reference Information:

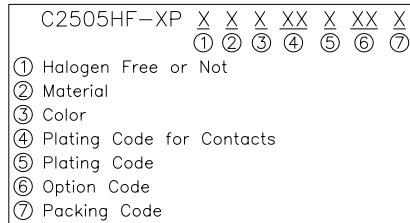
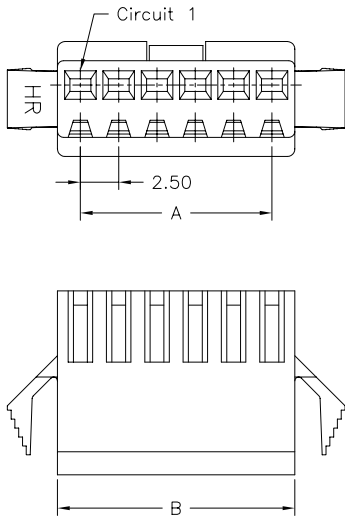
- *Material: Thermoplastic
- *Suitable H.R C2505F Series Terminal
- *Mates with H.R C2505HM Series Housing



Dimensions:

Circuit No.	Dimensions	
	A	B
02	2.50	5.50
03	5.00	8.00
04	7.50	10.50
05	10.00	13.00
06	12.50	15.50
07	15.00	18.00
08	17.50	20.50
09	20.00	23.00
10	22.50	25.50
11	25.00	28.00
12	27.50	30.50

Unit:mm



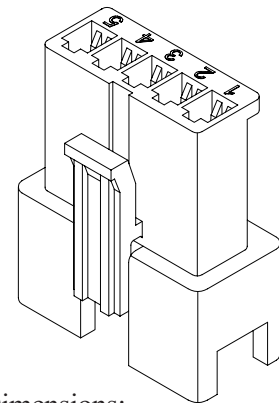
A
B
C
F

C2505HM

2.50mm Pitch Housing - Plug

Reference Information:

- *Material: Thermoplastic
- *Suitable H.R C2505M Series Terminal
- *Mates with H.R C2505HF Series Housing



Dimensions:

Circuit No.	Dimensions	
	A	B
02	2.50	8.00
03	5.00	10.50
04	7.50	13.00
05	10.00	15.50
06	12.50	18.00
07	15.00	20.50
08	17.50	23.00
09	20.00	25.50
10	22.50	28.00
11	25.00	30.50
12	27.50	33.00

Unit:mm

