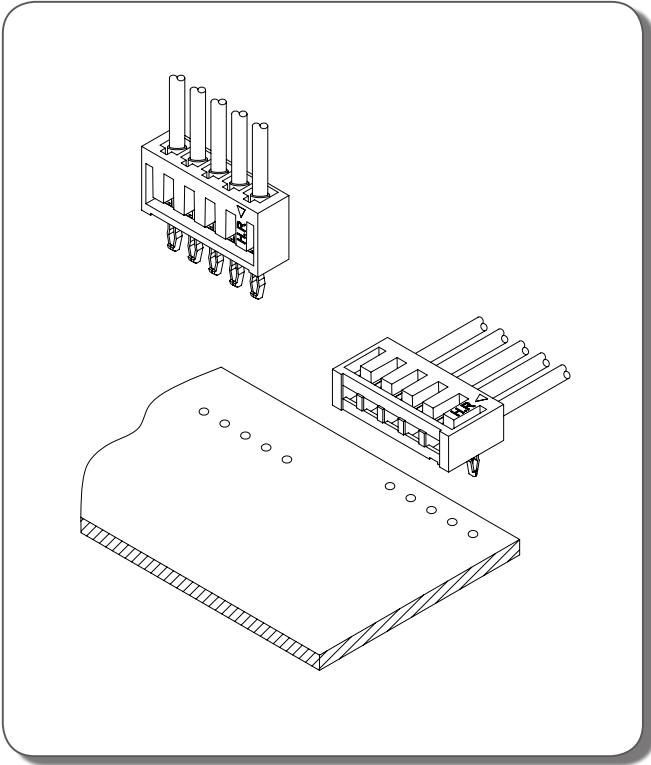




A
B
C
F



Specifications

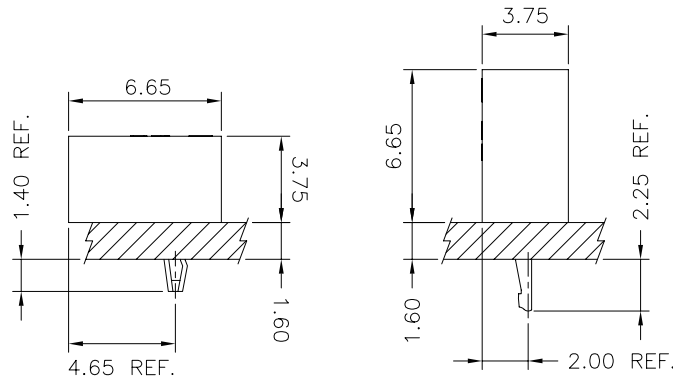
Current Rating: 1A~3A AC,DC(Per Pin)
 Voltage Rating: 250V AC,DC(Per Pin)
 Temperature Range: -25°C ~ +85°C
 Contact Resistance: 10mΩ Max.
 Insulation Resistance: 1000MΩ Min.
 Withstanding Voltage: 800V AC/minute
 Contact H.R for Details

Standards



R 50004394

Assembly Layout



Ordering Code

1 2 3 4 5
B2512 **X-X** **X** **X**

- ① Series No.
- ② Terminal Type: V=Vertical, R=Right Angle
- ③ Plating Code: T=Tin-Plated
- ④ Material: B=Brass, P=Phosphor Bronz
- ⑤ E=Stamping Before Plating

1 2 3 4
B2512 **XX-X** **XP**

- ① Series No.
- ② Housing Type: HV=Vertical Housing, HR=Right Angle Housing
- ③ Blank=Normal Type, A=A Type
- ④ No. of Circuits



B2512 SERIES

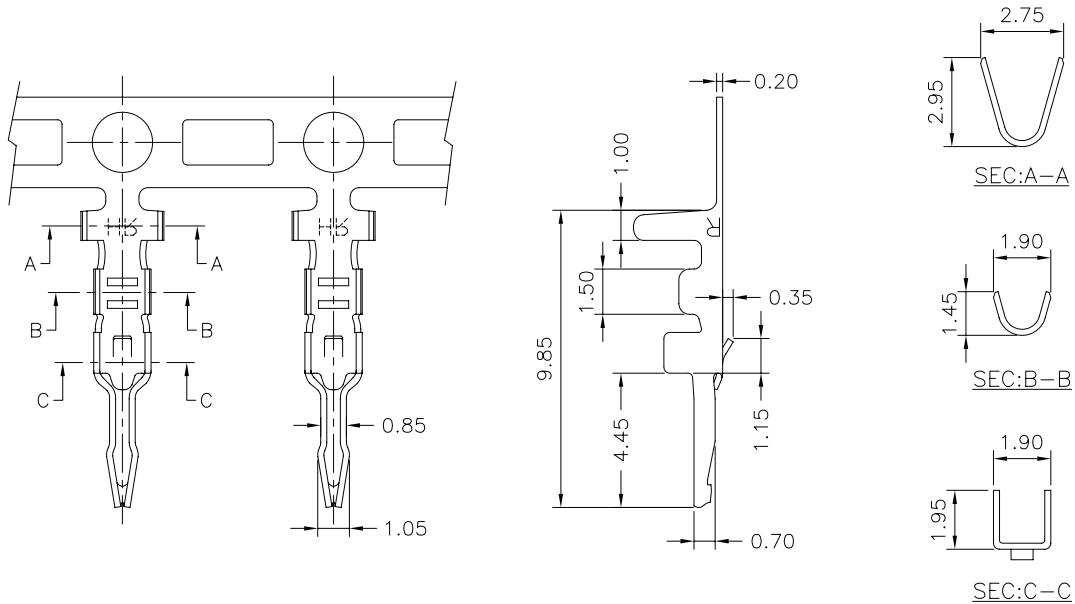
2.50mm Pitch Board-in Connector

B2512V-XXX

2.50mm Pitch 180° Crimp Terminal

Reference Information:

*Used in H.R B2512HV Series Housing



Ordering Information & Specifications:

Unit:mm

Part No.	Wire Range	Insulation O.D.	Material	Finish	Qty/Reel
B2512V-TBE	AWG#22-#28	1.70mm(max)	Brass	Tin-Plated	10,000Pcs

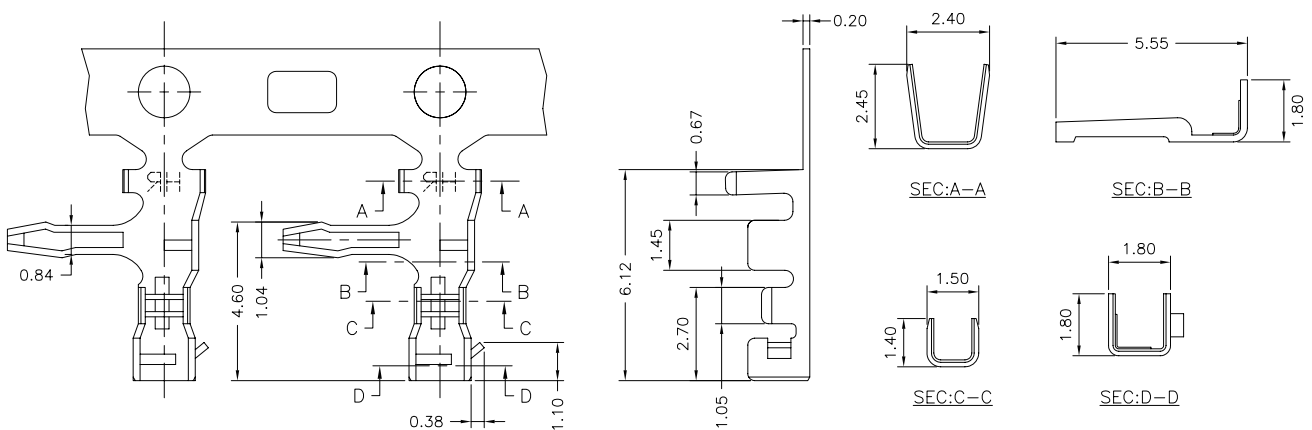
Note:E-Stamping Before Plating

B2512R-XXX

2.50mm Pitch 90° Crimp Terminal

Reference Information:

*Used in H.R B2512HR Series Housing



Ordering Information & Specifications:

Unit:mm

Part No.	Wire Range	Insulation O.D.	Material	Finish	Qty/Reel
B2512R-TBE	AWG#22-#28	1.70mm(Max)	Brass	Tin-Plated	10,000Pcs
B2512R-TPE	AWG#22-#28	1.70mm(Max)	Phosphor Bronze	Tin-Plated	10,000Pcs

Note:E-Stamping Before Plating

A
B
C
F



B2512 SERIES

2.50mm Pitch Board-in Connector

B2512HV

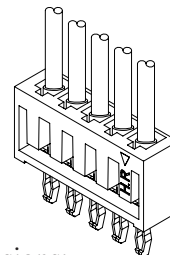
— 2.50mm Pitch 180° Housing —

Reference Information:

*Material: Thermoplastic

*Suitable H.R B2512V Series Terminal

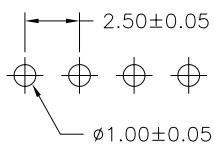
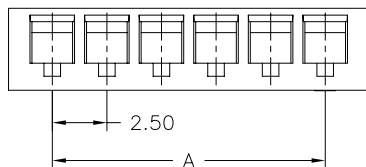
B2512HV-XP	X	X	X	XX	X	XX	X
	①	②	③	④	⑤	⑥	⑦
①	Halogen Free or Not						
②	Material						
③	Color						
④	Plating Code for Contacts						
⑤	Plating Code						
⑥	Option Code						
⑦	Packing Code						



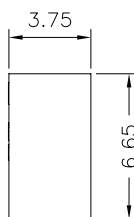
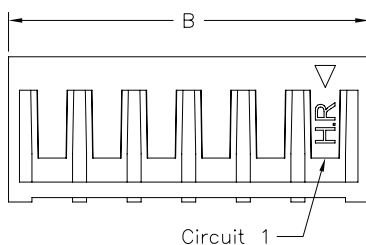
Dimensions:

Circuit No.	Dimensions	
	A	B
02	2.50	6.50
03	5.00	9.00
04	7.50	11.50
05	10.00	14.00
06	12.50	16.50
07	15.00	19.00
08	17.50	21.50
09	20.00	24.00
10	22.50	26.50
11	25.00	29.00
12	27.50	31.50
13	30.00	34.00
14	32.50	36.50
15	35.00	39.00
16	37.50	41.50

Unit:mm



PCB Layout



Circuit 1

A
B
C
F

B2512HR

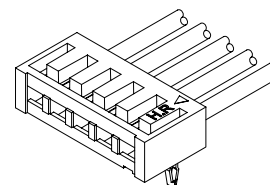
— 2.50mm Pitch 90° Housing —

Reference Information:

*Material: Thermoplastic

*Suitable H.R B2512R Series Terminal

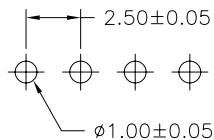
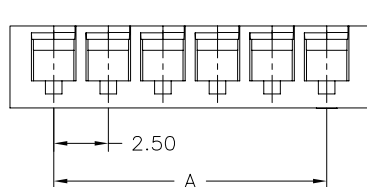
B2512HR-XP	X	X	X	XX	X	XX	X
	①	②	③	④	⑤	⑥	⑦
①	Halogen Free or Not						
②	Material						
③	Color						
④	Plating Code for Contacts						
⑤	Plating Code						
⑥	Option Code						
⑦	Packing Code						



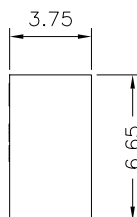
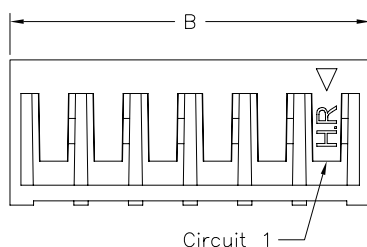
Dimensions:

Circuit No.	Dimensions	
	A	B
02	2.50	6.50
03	5.00	9.00
04	7.50	11.50
05	10.00	14.00
06	12.50	16.50
07	15.00	19.00
08	17.50	21.50
09	20.00	24.00
10	22.50	26.50
11	25.00	29.00
12	27.50	31.50
13	30.00	34.00
14	32.50	36.50
15	35.00	39.00
16	37.50	41.50

Unit:mm



PCB Layout



Circuit 1



B2512 SERIES

2.50mm Pitch Board-in Connector

B2512HVA

— 2.50mm Pitch 180° Housing —

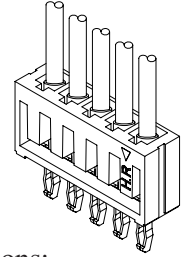
Reference Information:

*Material: Thermoplastic

*Suitable H.R B2512V Series Terminal

B2512HVA-XP	X	X	X	XX	X	XX	X
	①	②	③	④	⑤	⑥	⑦

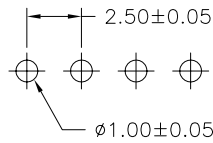
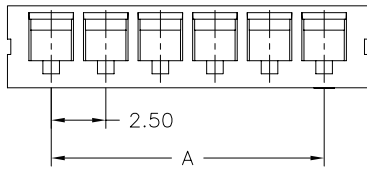
① Halogen Free or Not
② Material
③ Color
④ Plating Code for Contacts
⑤ Plating Code
⑥ Option Code
⑦ Packing Code



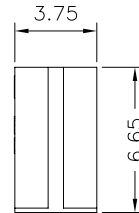
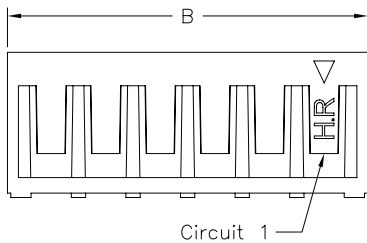
Dimensions:

Circuit No.	Dimensions	
	A	B
02	2.50	6.50
03	5.00	9.00
04	7.50	11.50
05	10.00	14.00
06	12.50	16.50
07	15.00	19.00
08	17.50	21.50
09	20.00	24.00
10	22.50	26.50
11	25.00	29.00
12	27.50	31.50
13	30.00	34.00
14	32.50	36.50
15	35.00	39.00
16	37.50	41.50

Unit:mm



PCB Layout



Circuit 1

B2512HRA

— 2.50mm Pitch 90° Housing —

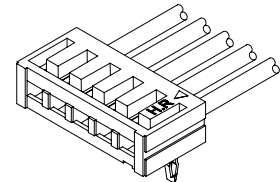
Reference Information:

*Material: Thermoplastic

*Suitable H.R B2512R Series Terminal

B2512HRA-XP	X	X	X	XX	X	XX	X
	①	②	③	④	⑤	⑥	⑦

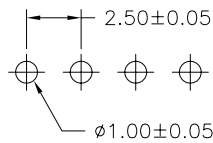
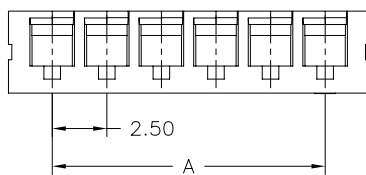
① Halogen Free or Not
② Material
③ Color
④ Plating Code for Contacts
⑤ Plating Code
⑥ Option Code
⑦ Packing Code



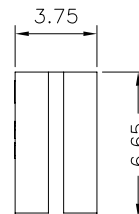
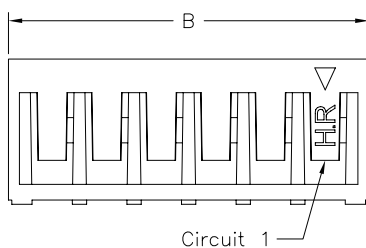
Dimensions:

Circuit No.	Dimensions	
	A	B
02	2.50	6.50
03	5.00	9.00
04	7.50	11.50
05	10.00	14.00
06	12.50	16.50
07	15.00	19.00
08	17.50	21.50
09	20.00	24.00
10	22.50	26.50
11	25.00	29.00
12	27.50	31.50
13	30.00	34.00
14	32.50	36.50
15	35.00	39.00
16	37.50	41.50

Unit:mm



PCB Layout



Circuit 1

A
B
C
F