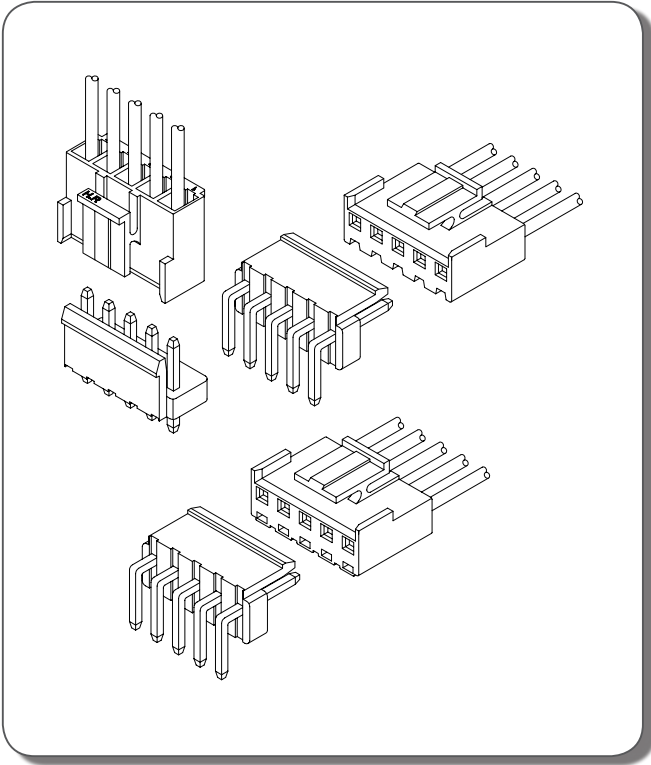




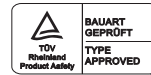
A
B
C
F



Specifications

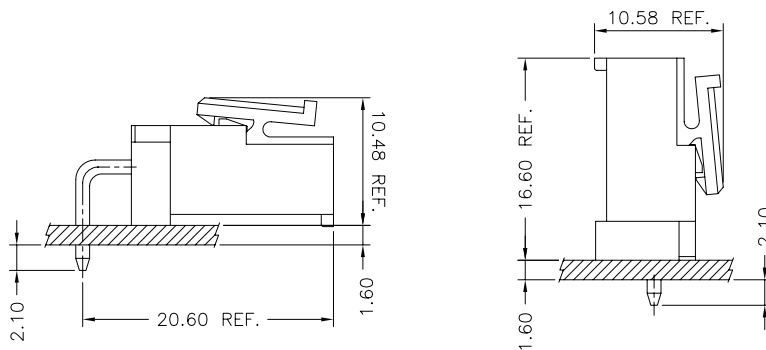
Current Rating: 4A~7A AC,DC(Per Pin)
 Voltage Rating: 250V AC,DC(Per Pin)
 Temperature Range: -25°C ~ +85°C
 Contact Resistance: 10mΩ Max.
 Insulation Resistance: 1000MΩ Min.
 Withstanding Voltage: 1500V AC/minute
 Contact H.R for Details

Standards



R 50004394

Assembly Layout



Ordering Code

① ② ③ ④
A3961-X X X

- ① Series No.
- ② Plating Code: T=Tin-Plated, G=Gold-Plated
- ③ Material: B=Brass, P=Phosphor Bronze
- ④ E=Stamping Before Plating

① ② ③ ④
A3961 X X-XP

- ① Series No.
- ② Housing Type: H=Housing
- ③ Blank=Normal Type, A=A Type
- ④ No. of Circuits

① ② ③ ④
A3961 XX X-XP

- ① Series No.
- ② Connector Type: WV=Vertical, WR=Right Angle
- ③ Blank=With Locking Ramp, A=Without Locking Ramp
- ④ No. of Circuits



A3961 SERIES

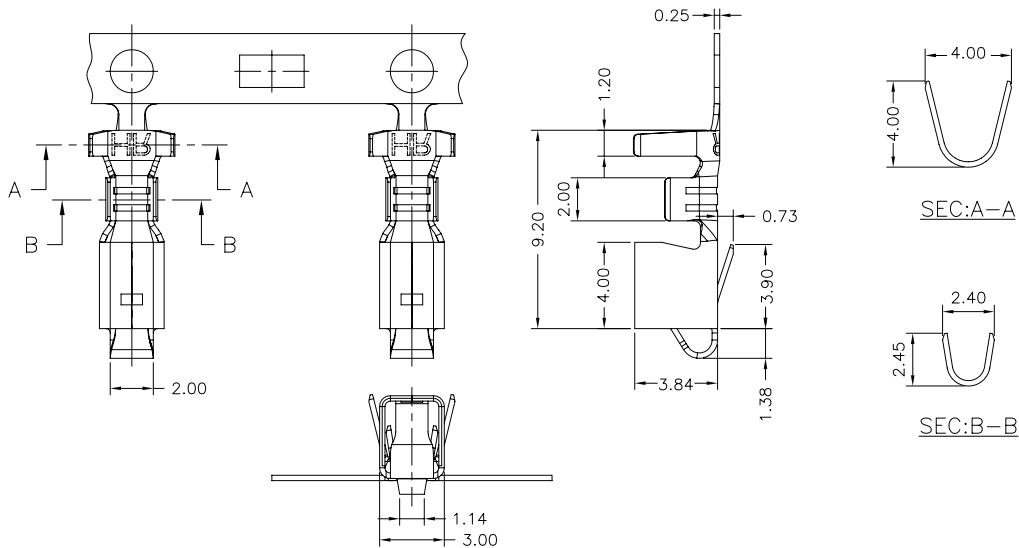
3.96mm Pitch Wire to Board Connector

A3961-XXX

3.96mm Pitch Crimp Terminal

Reference Information:

*Used in H.R A3961 Series Housing



Ordering Information & Specifications:

Unit:mm

Part No.	Wire Range	Insulation O.D.	Material	Finish	Qty/Reel
A3961-TBE	AWG#18-#22	3.00mm(Max)	Brass	Tin-Plated	4,000Pcs
A3961-TPE	AWG#18-#22	3.00mm(Max)	Phosphor Bronze	Tin-Plated	4,000Pcs
A3961-GPE	AWG#18-#22	3.00mm(Max)	Phosphor Bronze	Gold-Plated	4,000Pcs

Note:E-Stamping Before Plating

A3961H

3.96mm Pitch Housing

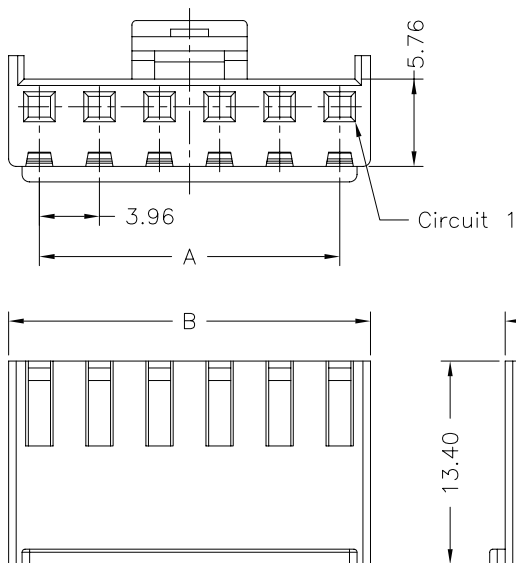
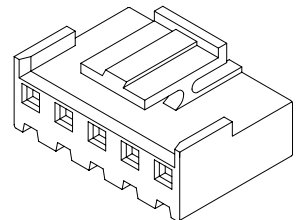
Reference Information:

*Material: Thermoplastic

*Suitable H.R A3961 Series Terminal

*Mates with H.R A3961 or A7921 Series Wafer

A3961H-XP							
	X	X	X	XX	X	XX	X
	①	②	③	④	⑤	⑥	⑦
①	Halogen Free or Not						
②	Material						
③	Color						
④	Plating Code for Contacts						
⑤	Plating Code						
⑥	Option Code						
⑦	Packing Code						



Dimensions:

Circuit No.	Dimensions	
	A	B
02	3.96	8.02
03	7.92	11.98
04	11.88	15.94
05	15.84	19.90
06	19.80	23.86
07	23.76	27.82
08	27.72	31.78
09	31.68	35.74
10	35.64	39.70
11	39.60	43.66
12	43.56	47.62
13	47.52	51.58
14	51.48	55.54
15	55.44	59.50

Unit:mm

A
B
C
F



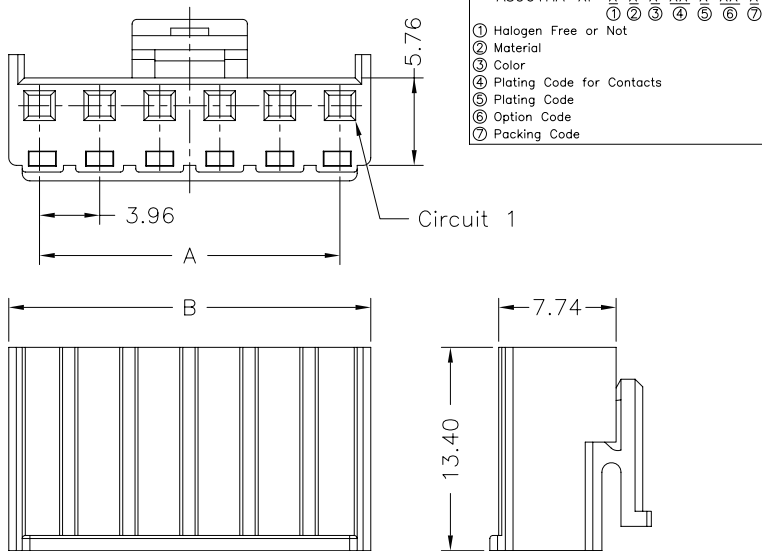
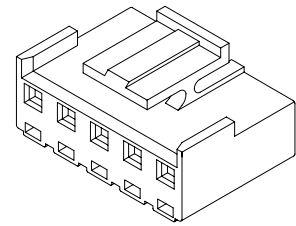
A3961 SERIES

3.96mm Pitch Wire to Board Connector

A3961HA — 3.96mm Pitch Housing

Reference Information:

- *Material: Thermoplastic
- *Suitable H.R A3961 Series Terminal
- *Mates with H.R A3961 or A7921 Series Wafer



Dimensions:

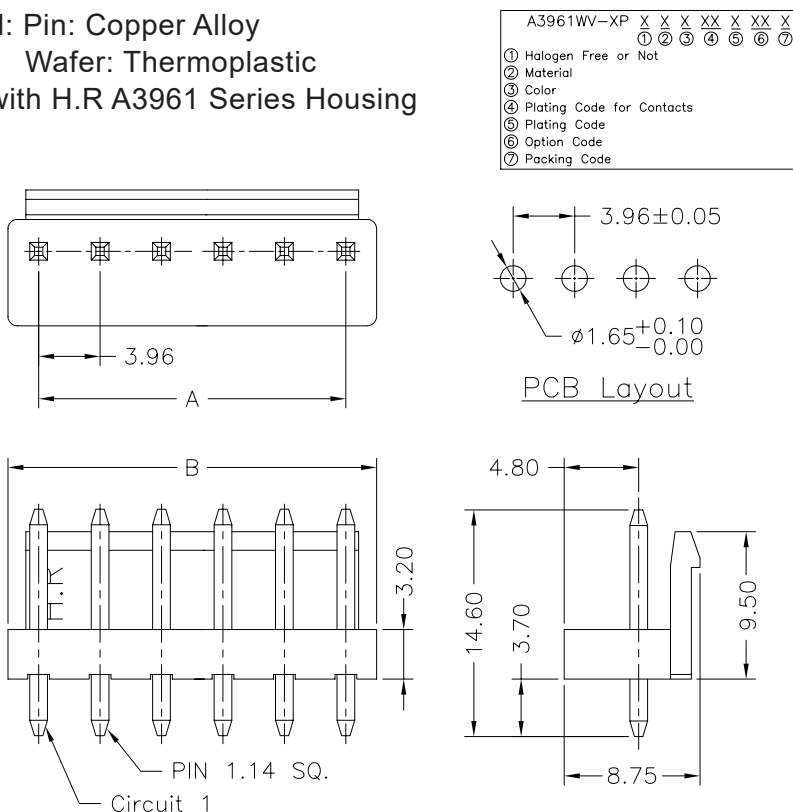
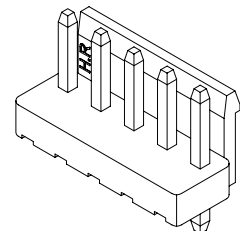
Circuit No.	Dimensions	
	A	B
02	3.96	8.02
03	7.92	11.98
04	11.88	15.94
05	15.84	19.90
06	19.80	23.86
07	23.76	27.82
08	27.72	31.78
09	31.68	35.74
10	35.64	39.70
11	39.60	43.66
12	43.56	47.62
13	47.52	51.58
14	51.48	55.54
15	55.44	59.50

Unit:mm

A3961WV — 3.96mm Pitch 180° Wafer

Reference Information:

- *Material: Pin: Copper Alloy
Wafer: Thermoplastic
- *Mates with H.R A3961 Series Housing



Dimensions:

Circuit No.	Dimensions	
	A	B
02	3.96	7.92
03	7.92	11.88
04	11.88	15.84
05	15.84	19.80
06	19.80	23.76
07	23.76	27.72
08	27.72	31.68
09	31.68	35.64
10	35.64	39.60
11	39.60	43.56
12	43.56	47.52
13	47.52	51.48
14	51.48	55.44
15	55.44	59.40

Unit:mm



A3961 SERIES

3.96mm Pitch Wire to Board Connector

A3961WR

3.96mm Pitch 90° Wafer

Reference Information:

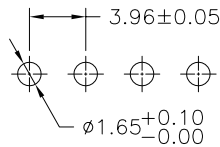
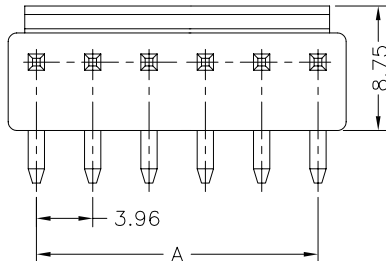
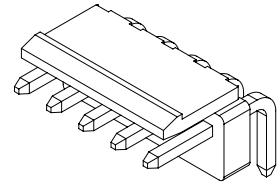
*Material: Pin: Copper Alloy

Wafer: Thermoplastic

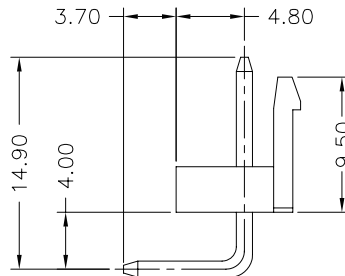
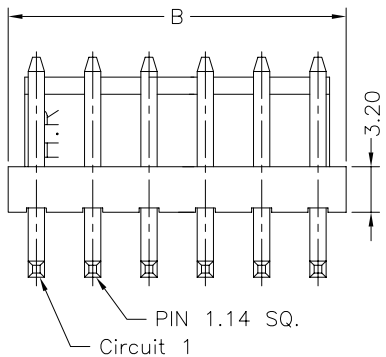
*Mates with H.R A3961 Series Housing

A3961WR-XP	X	X	X	XX	X	XX	X
	①	②	③	④	⑤	⑥	⑦

① Halogen Free or Not
② Material
③ Color
④ Plating Code for Contacts
⑤ Plating Code
⑥ Option Code
⑦ Packing Code



PCB Layout



Dimensions:

Circuit No.	Dimensions	
	A	B
02	3.96	7.92
03	7.92	11.88
04	11.88	15.84
05	15.84	19.80
06	19.80	23.76
07	23.76	27.72
08	27.72	31.68
09	31.68	35.64
10	35.64	39.60
11	39.60	43.56
12	43.56	47.52
13	47.52	51.48
14	51.48	55.44
15	55.44	59.40

Unit:mm

A3961WVA

3.96mm Pitch 180° Wafer

Reference Information:

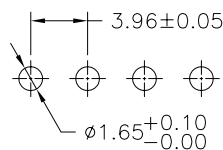
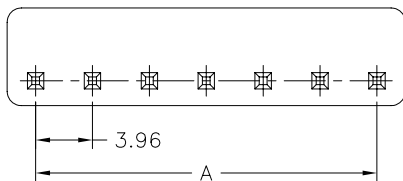
*Material: Pin: Copper Alloy

Wafer: Thermoplastic

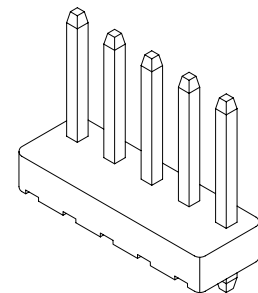
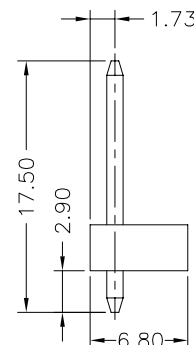
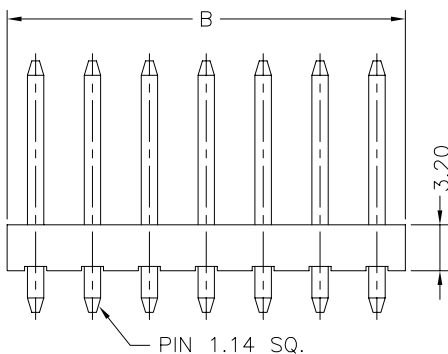
*Mates with H.R A3961 Series Housing

A3961WVA-XP	X	X	X	XX	X	XX	X
	①	②	③	④	⑤	⑥	⑦

① Halogen Free or Not
② Material
③ Color
④ Plating Code for Contacts
⑤ Plating Code
⑥ Option Code
⑦ Packing Code



PCB Layout



Dimensions:

Circuit No.	Dimensions	
	A	B
02	3.96	7.92
03	7.92	11.88
07	23.76	27.72
11	39.60	43.56

Unit:mm

A
B
C
F