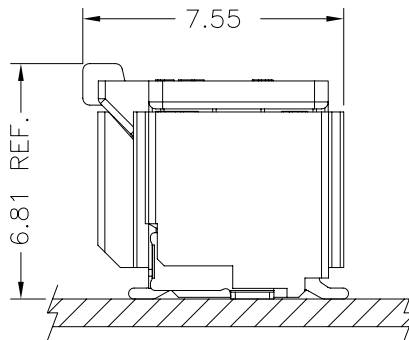


Specifications

- Current Rating: 0.8A~1A AC,DC(Per Pin)
- Voltage Rating: 50V AC,DC(Per Pin)
- Temperature Range: -25°C ~ +85°C
- Contact Resistance: 20mΩ Max.
- Insulation Resistance: 100MΩ Min.
- Withstanding Voltage: 250V AC/minute
- *Contact H.R for Details*

A
B
C
F

Assembly Layout



Ordering Code

1 2 3 4 5
A1014-**X** **X** **X**-**X**

- ① Series No.
- ② Plating Code: G=Gold-Plated
- ③ Material: P=Phosphor Bronze
- ④ E=Stamping Before Plating
- ⑤ Option Code: (Refer to Drawings)

1 2 3 4 5 6
A1014 **XX** **X**-**X**-**2X** **NP**

- ① Series No.
- ② Connector Type: WV=Vertical
- ③ Blank=Normal Type, A=A Type, B=B Type
- ④ Mounting Type: S=SMT
- ⑤ 2X=Dual Row
- ⑥ No. of Circuits

1 2 3 4 5
A1014 **X** **X**-**2X** **NP**

- ① Series No.
- ② Housing Type: H=Housing
- ③ Blank=Normal Type, A=A Type
- ④ 2X=Dual Row
- ⑤ No. of Circuits



A1014 SERIES

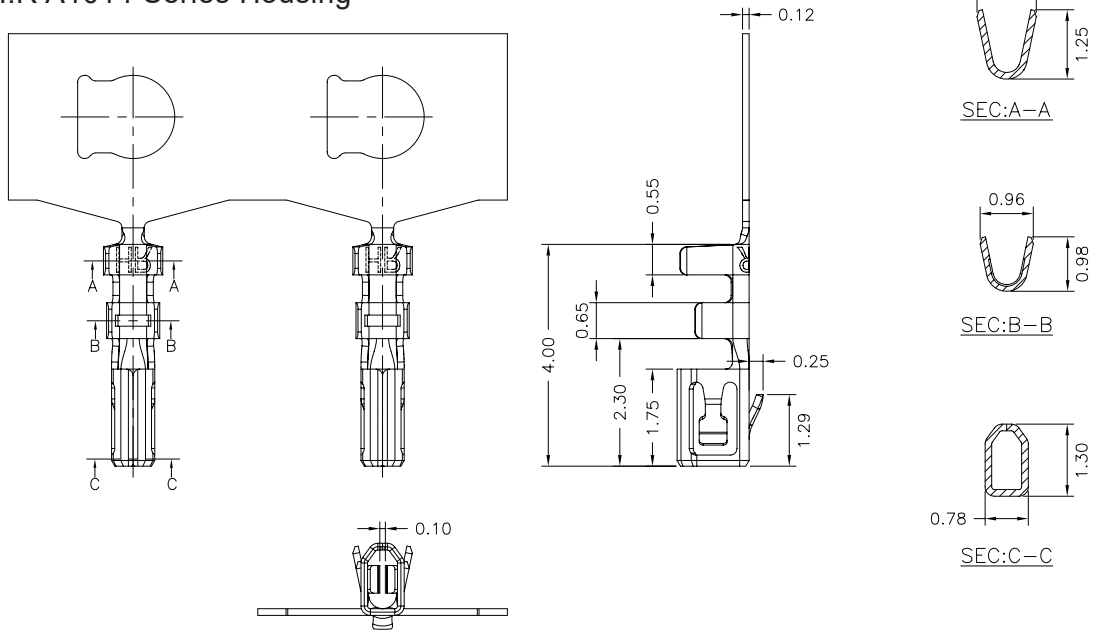
1.00mm Pitch Wire to Board Connector

A 1014-XXX

1.00mm Pitch Crimp Terminal

Reference Information:

*Used in H.R A1014 Series Housing



Ordering Information & Specifications:

Unit:mm

Part No.	Wire Range	Insulation O.D.	Material	Finish	Qty/Reel
1014-GPE-A	AWG#28-#32	0.80mm(Max)	Phosphor Bronze	Gold-Plated	15,000Pcs

Note:E-Stamping Before Plating

A 1014H-2

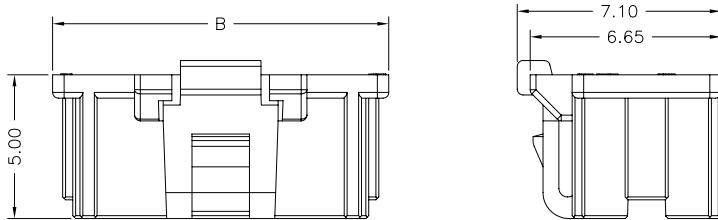
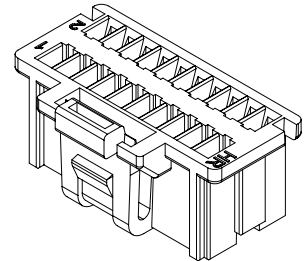
1.00mm Pitch Dual Row Housing

Reference Information:

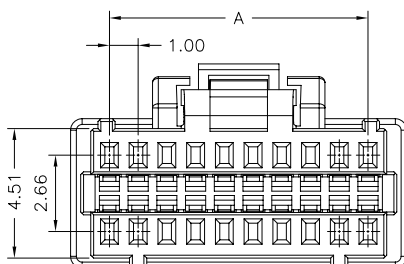
*Material: Thermoplastic

*Suitable H.R A1014 Series Terminal

*Mates with H.R A1014 Series Dual Row Wafer



A1014H-2XNP	X	X	X	XX	X	XX	X
	①	②	③	④	⑤	⑥	⑦
①	Halogen Free or Not						
②	Material						
③	Color						
④	Plating Code for Contacts						
⑤	Plating Code						
⑥	Option Code						
⑦	Packing Code						



Dimensions:

Circuit No.	Dimensions	
	A	B
2X08	7.00	9.70
2X10	9.00	11.70
2X15	14.00	16.70
2X16	15.00	17.70
2X20	19.00	21.70
2X25	24.00	26.70

Unit:mm



A1014 SERIES

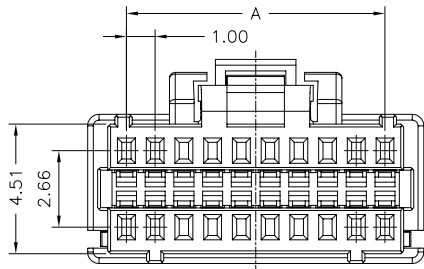
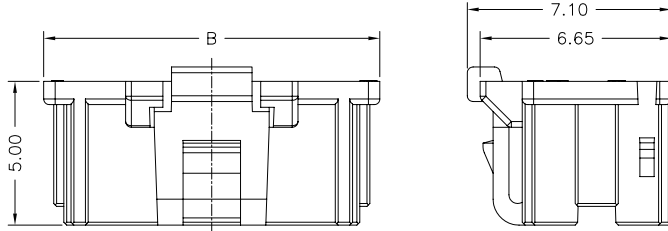
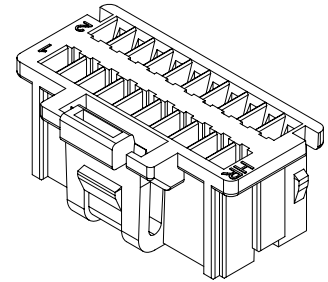
1.00mm Pitch Wire to Board Connector

A1014HA-2

1.00mm Pitch Dual Row Housing

Reference Information:

- *Material: Thermoplastic
- *Suitable H.R A1014 Series Terminal
- *Mates with H.R A1014 Series Dual Row Wafer



A1014HA-2XNP		X	X	X	XX	X	XX	X
		①	②	③	④	⑤	⑥	⑦

① Halogen Free or Not
② Material
③ Color
④ Plating Code for Contacts
⑤ Plating Code
⑥ Option Code
⑦ Packing Code

Dimensions:

Circuit No.	Dimensions	
	A	B
2X08	7.00	9.70
2X10	9.00	11.70
2X15	14.00	16.70
2X16	15.00	17.70
2X20	19.00	21.70
2X25	24.00	26.70

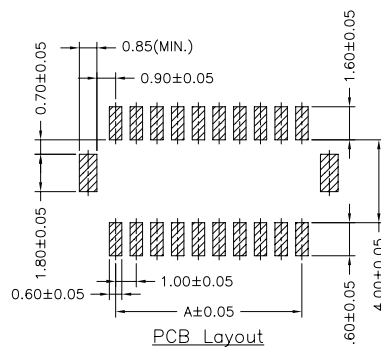
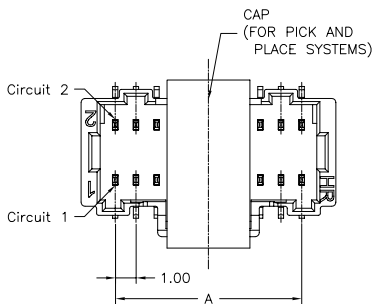
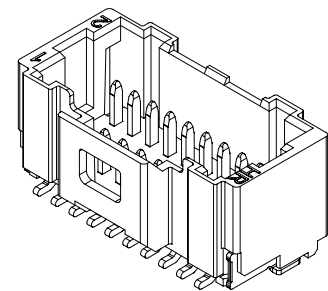
Unit:mm

A1014WV-S-2

1.00mm Pitch 180° Dual Row Wafer - SMT Type

Reference Information:

- *Material: Pin: Copper Alloy
Solder Tabs: Copper Alloy
Wafer: Thermoplastic
Cap: Thermoplastic
- *Mates with H.R A1014 Series Dual Row Housing



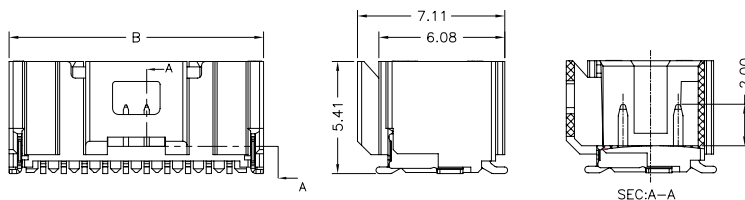
A1014WV-S-2XNP		X	X	X	XX	X	XX	X
		①	②	③	④	⑤	⑥	⑦

① Halogen Free or Not
② Material
③ Color
④ Plating Code for Contacts
⑤ Plating Code
⑥ Option Code
⑦ Packing Code

Dimensions:

Circuit No.	Dimensions	
	A	B
2X10	9.00	12.30
2X15	14.00	17.30
2X20	19.00	22.30
2X25	24.00	27.30

Unit:mm



A
B
C
F



A1014 SERIES

1.00mm Pitch Wire to Board Connector

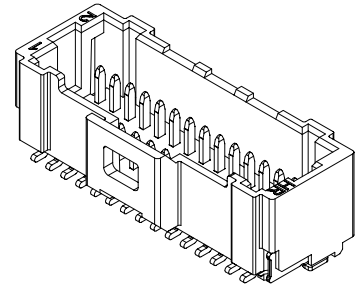
A1014WVA-S-2

1.00mm Pitch 180° Dual Row Wafer - SMT Type

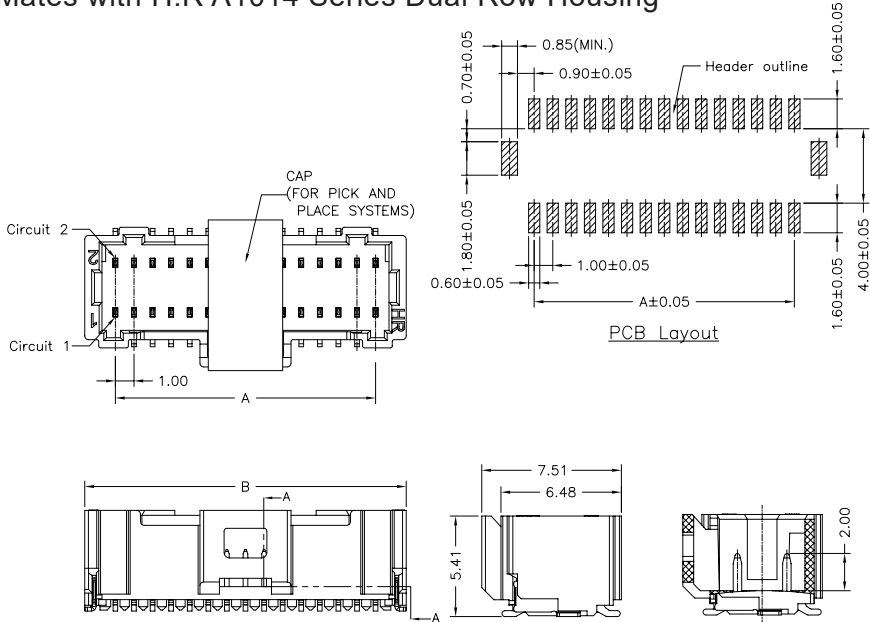
Reference Information:

- *Material: Pin: Copper Alloy
Solder Tabs: Copper Alloy
Wafer: Thermoplastic
Cap: Thermoplastic

*Mates with H.R A1014 Series Dual Row Housing



A
B
C
F



A1014WVA-S-2XNP X X X XX X XX X
① ② ③ ④ ⑤ ⑥ ⑦

- ① Halogen Free or Not
- ② Material
- ③ Color
- ④ Plating Code for Contacts
- ⑤ Plating Code
- ⑥ Option Code
- ⑦ Packing Code

Dimensions:

Circuit No.	Dimensions	
	A	B
2X08	7.00	10.30
2X10	9.00	12.30
2X15	14.00	17.30
2X16	15.00	18.30
2X20	19.00	22.30
2X25	24.00	27.30

Unit:mm

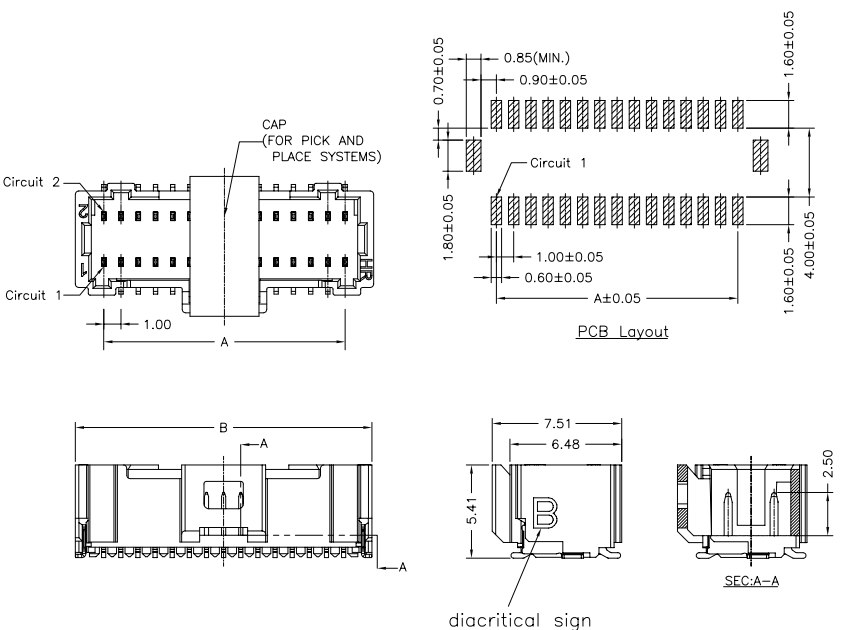
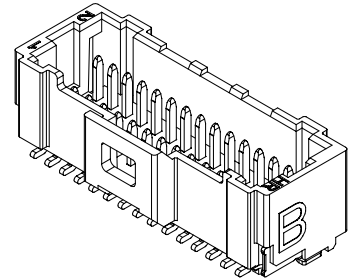
A1014WVB-S-2

1.00mm Pitch 180° Dual Row Wafer - SMT Type

Reference Information:

- *Material: Pin: Copper Alloy
Solder Tabs: Copper Alloy
Wafer: Thermoplastic
Cap: Thermoplastic

*Mates with H.R A1014 Series Dual Row Housing



A1014WVB-S-2XNP X X X XX X XX X
① ② ③ ④ ⑤ ⑥ ⑦

- ① Halogen Free or Not
- ② Material
- ③ Color
- ④ Plating Code for Contacts
- ⑤ Plating Code
- ⑥ Option Code
- ⑦ Packing Code

Dimensions:

Circuit No.	Dimensions	
	A	B
2X08	7.00	10.30
2X10	9.00	12.30
2X15	14.00	17.30
2X16	15.00	18.30
2X20	19.00	22.30
2X25	24.00	27.30

Unit:mm