

NOTES:

- MATERIAL:**
 - HOUSING: THERMOPLASTIC, HIGH TEMP, UL94 V-0, COLOR: BLACK.
 - CONTACTS: COPPER ALLOY.
 - DUMMY CARD: THERMOPLASTIC, HIGH TEMP, UL94 V-0, COLOR: BLACK.
- FINISH:**

CONTACT:

 - SELECTIVE GOLD PLATING ON THE CONTACT AREA.
 - 100μ" MIN. MATTE-TIN PLATING ON THE SOLDERTAILS,
 - 50μ" MIN. NICKEL UNDERPLATING OVERALL.
- PRODUCT SPEC.:** PS-GEN4-01
- PACKAGING SPEC:** 312604001

PART NO.

91613 - 1 1 0 X X X D XX

- Ridge Options: 1: With Ridge
- HSG Color: 1: Black
- Ear Options: 0: With Mount Ear
- Contact Plating: 0: 30u" Gold, 1: 15u" Gold, 2: Gold Flash
- Halogen Options: Blank: Halogen, HF: Halogen Free
- Packaging Options: D: Tray + Dummy Card
- No. of Pins: 0: 36P, 1: 64P, 2: 98P, 3: 164P
- PCB Thickness Options "DIM.K": 0: 2.08mm, 1: 2.30mm, 2: 1.80mm, 4: 1.57mm

| PCB Thickness "DIM. K" | DIM.M | |
|------------------------|-------|------|
| 0 | 2.08 | 2.55 |
| 1 | 2.30 | 2.55 |
| 2 | 1.80 | 2.55 |
| 4 | 1.57 | 1.70 |

| POSITION | DIMENSIONS | | | | |
|----------|------------|--------------|---------|---------|---------|
| | A ±0.20 | B ± 0.08 | C ±0.20 | D ±0.25 | E ±0.35 |
| 36 | 6 | 7.65 | 12.3 | 25 | 34.8 |
| 64 | 20 | 21.65 | 26.3 | 39 | 48.8 |
| 98 | 37 | 38.65 | 43.3 | 56 | 65.8 |
| 164 | 70 | 71.65 | 76.3 | 89 | 98.8 |

| REV | ECN NO. | NAME | DATE | TOLERANCE | |
|-----|---------|--------------|-------------|-----------|--------|
| | | | | LINEAR | ANGLES |
| A1 | ---- | Lei Songping | Dec,25,2020 | .X±0.30 | .X'± |
| A | 20021 | Lei Songping | Nov,11,2020 | .XX±0.20 | .XX'± |
| REV | ECN NO. | NAME | DATE | .XXX±0.10 | .XXX'± |

UMax conn 东莞市友贸实业有限公司
DONGGUAN UMAXCONN ENTERPRISE LIMITED

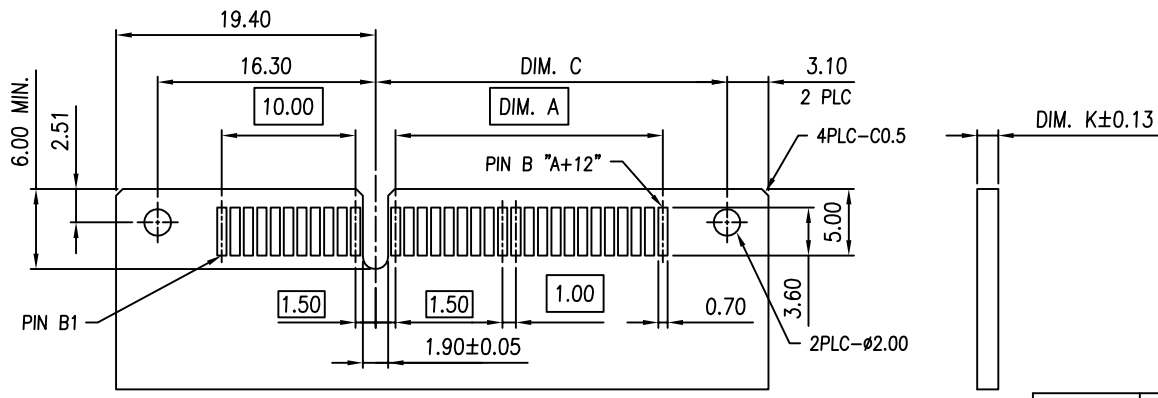
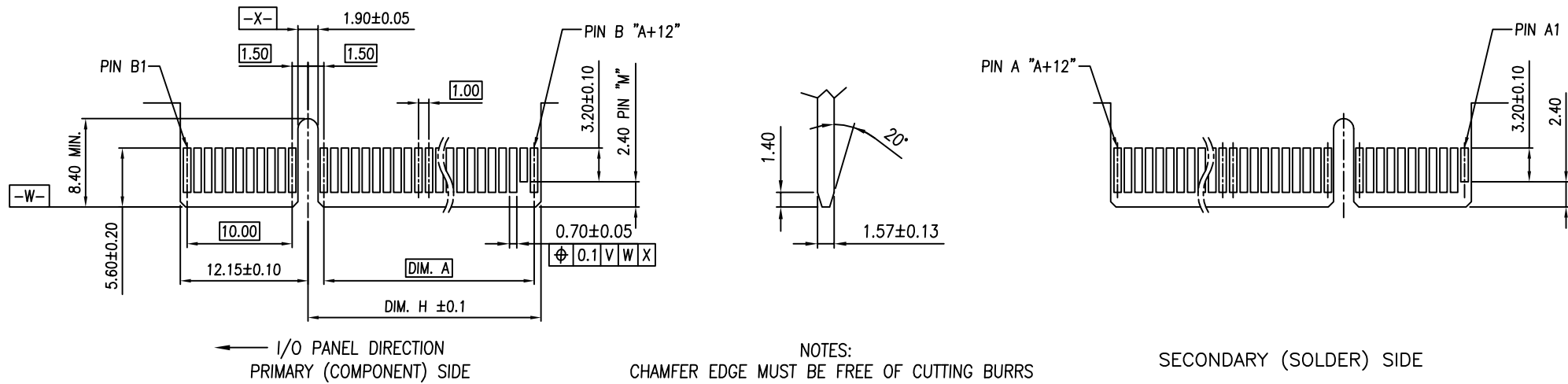
APPD: Jason MAT'L:
CHKD: Schumi FINISH:
DRWN: Lucy Q'TY:

TITLE: PCI EXPRESS 4.0 STRADDLE MOUNT TYPE

PART NO. 91613-110X4DXX

DWG NO. C-91613

| | | | |
|-------|-------|--------|-----|
| UNITS | SCALE | SHEET | REV |
| MM | 1 : 1 | 1 OF 3 | A1 |



RECOMMENDED PCB LAYOUT

TOLERANCE: ±0.05

| POS. | DIM. A | DIM. C | DIM. H | "M" |
|------|--------|--------|--------|-----|
| 36 | 6 | 12.3 | 8.15 | B17 |
| 64 | 20 | 26.3 | 22.15 | B31 |
| 98 | 37 | 43.3 | 39.15 | B48 |
| 164 | 70 | 76.3 | 72.15 | B81 |

| TOLERANCE | |
|-----------|--------|
| LINEAR | ANGLES |
| X.± | X'.± |
| .X± | .X'± |
| .XX± | .XX'± |
| .XXX± | .XXX'± |

UMax conn 东莞市友贸实业有限公司
DONGGUAN UMAXCONN ENTERPRISE LIMITED

APPD: Jason MAT'L:
CHKD: Schumi FINISH:
DRWN: Lucy Q'TY:

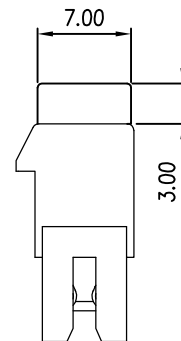
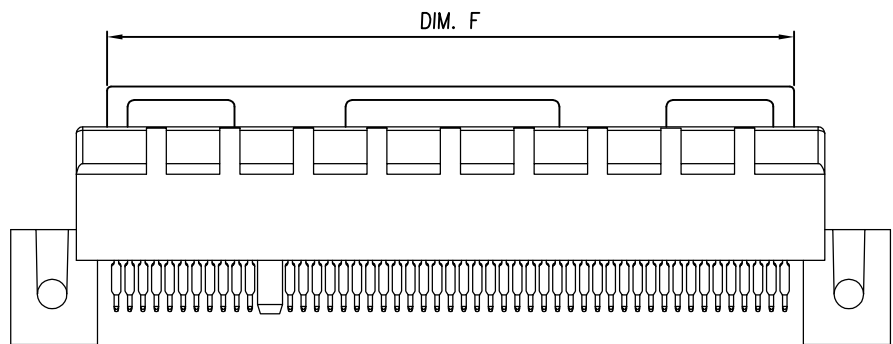
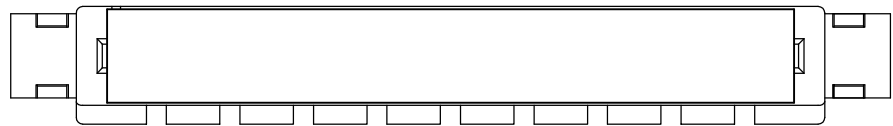
TITLE: PCI EXPRESS 4.0 STRADDLE MOUNT TYPE

PART NO. 91613-110X4XDXX

DWG NO. C-91613

| | | | | | | | |
|-------|----------|-------|-------|-------|--------|-----|----|
| UNITS | MM | SCALE | 1 : 1 | SHEET | 2 OF 3 | REV | A1 |
| | CUSTOMER | | | | | | |

| | | | |
|-------------|---------|------|------|
| See Sheet 1 | | | |
| REV | ECN NO. | NAME | DATE |



| DIMENSIONS | |
|------------|--------|
| POSITION | DIM. F |
| 36 | 20.4 |
| 64 | 34.4 |
| 98 | 51.4 |
| 164 | 84.4 |

| TOLERANCE | | UMax 东莞市友贸实业有限公司 conn DONGGUAN UMAXCONN ENTERPRISE LIMITED |
|-----------|--------|---|
| LINEAR | ANGLES | |
| X.± | X'.± | APPD: Jason MAT'L: CHKD: Schumi FINISH: DRWN: Lucy Q'TY: |
| .X± | .X'± | |
| .XX± | .XX'± | |
| .XXX± | .XXX'± | |

| | | | | | |
|----------|-------|--|--------|-----|--|
| TITLE: | | PCI EXPRESS 4.0 STRADDLE MOUNT TYPE | | | |
| PART NO. | | 91613-110X4XDXX | | | |
| DWG NO. | | C-91613 | | | |
| | UNITS | SCALE | SHEET | REV | |
| | MM | 1 : 1 | 3 OF 3 | A1 | |

| See Sheet 1 | | | |
|-------------|---------|------|------|
| REV | ECN NO. | NAME | DATE |