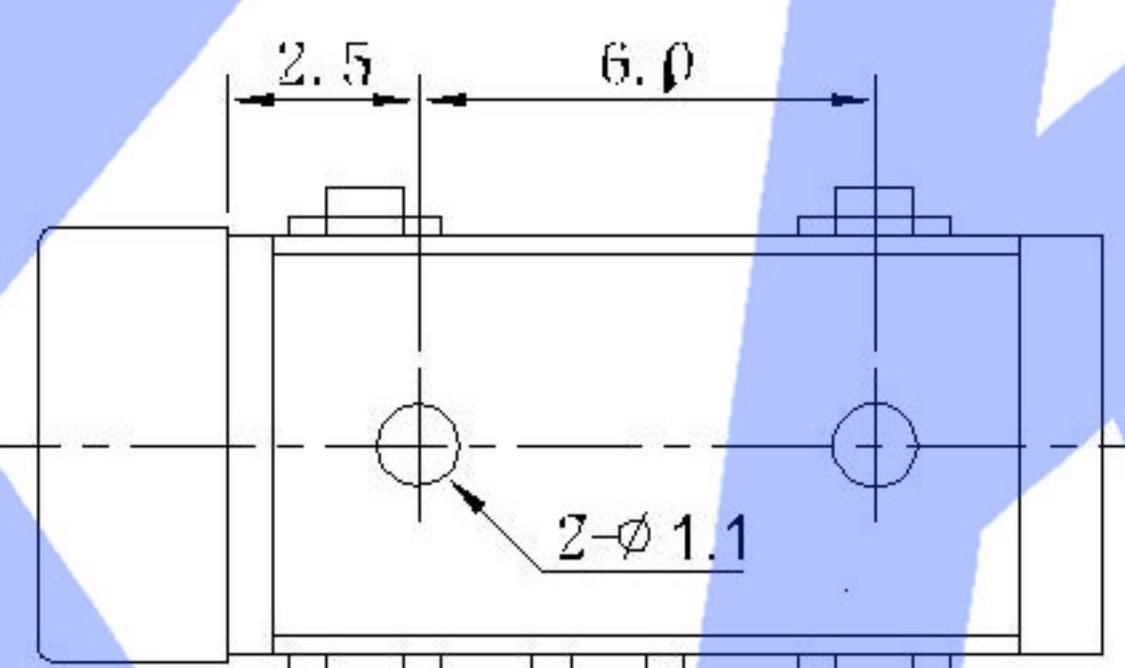
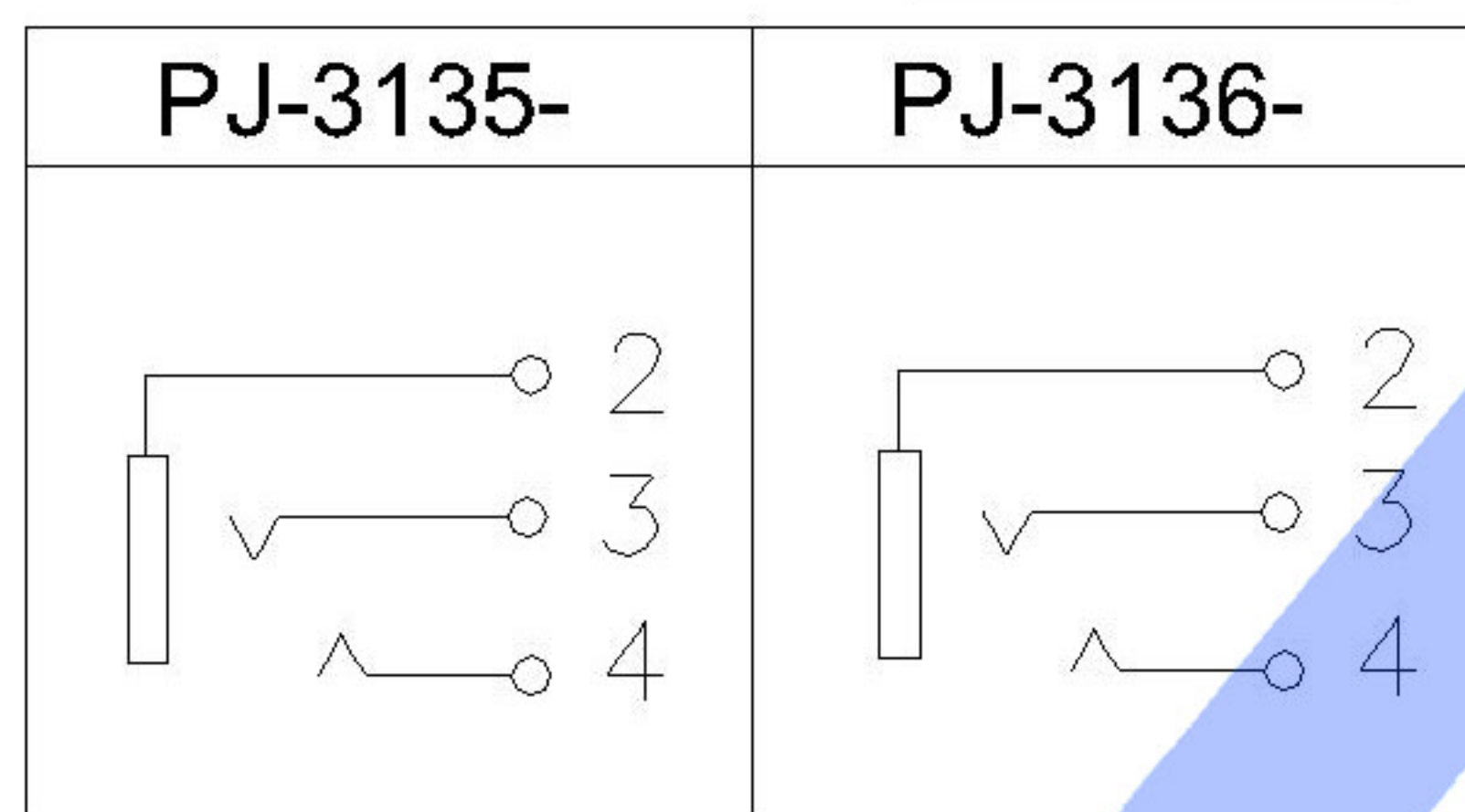


**SCHEMATIC**



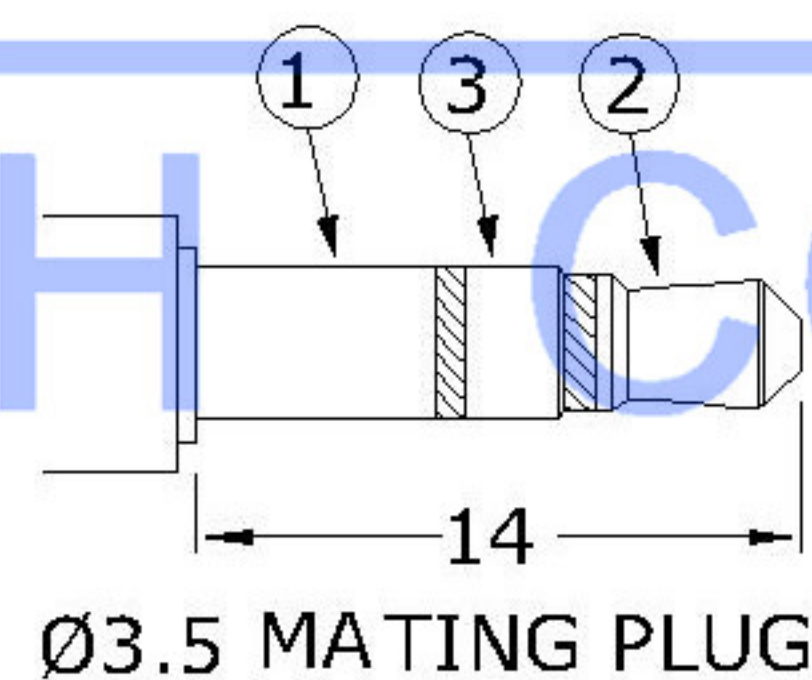
**PJ-3135-**

**SPECIFICATION**

- 1 Rating : DC 30V 10A
- 2 Contact resistance : ≤30mΩ
- 3 Insulation resistance : ≥100MΩ
- 4 Withstand voltage : 500VAC
- 5 Insertion and extraction force : 3-20N
- 6 life test : 5,000 cycles

**PJ-3136-**

R:red	G:green
Y:yellow	B:black
W:white	T:transparent



	MATERIAL	PLATING
terminal 2	Phosphor Bronze	tin
terminal 3	Phosphor Bronze	tin
terminal 4	Phosphor Bronze	tin
plastic	Pbt	

MARK	DESCRIPTION	DATE	REVISED	APPROVED	UNSPECIFIED TOLERANCES	DSND	DATE	SCALE: N/A	MODEL TYPE: 3.5 PHONE JACK		
ΔX					ANGLAR ±5°	DWN	DATE	VIEW:	PART NO.:		
ΔX					X.X ±0.2mm	CHKD	DATE	UNIT: mm	DWG NO.:		
ΔX					X.XX ±0.1mm	APPD	DATE	SIZE: A4	<b>PJ-313X-X</b>		
					X.XXX ±0.05mm	<b>XKB INDUSTRIAL PRECISION CO.,LIMITED</b>			WEIGHT	SHEET	REVISION
									1.0g	1/1	A0