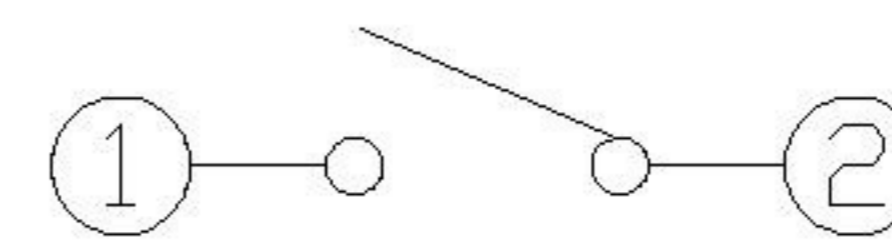


CIRCUIT DIAGRAM

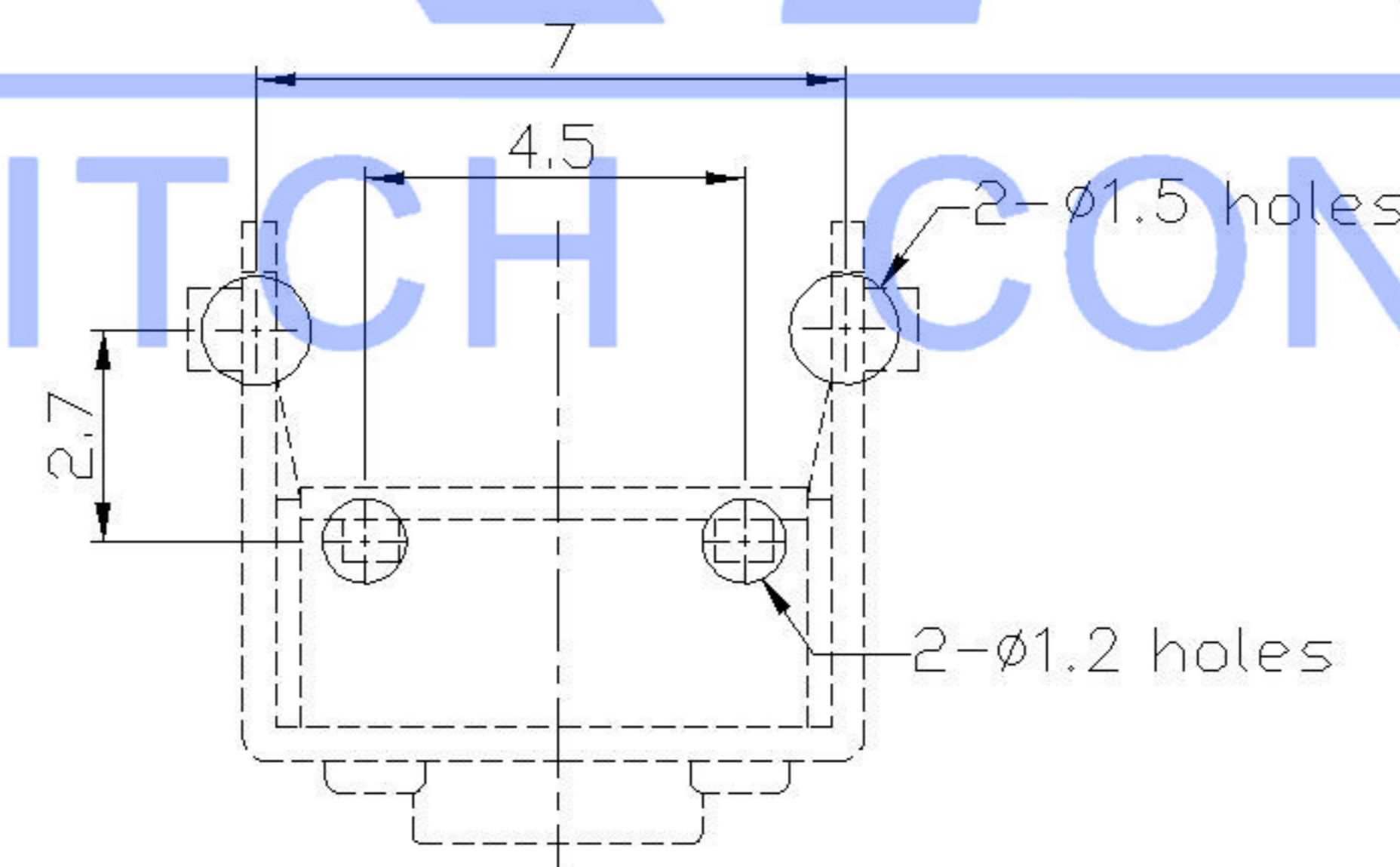
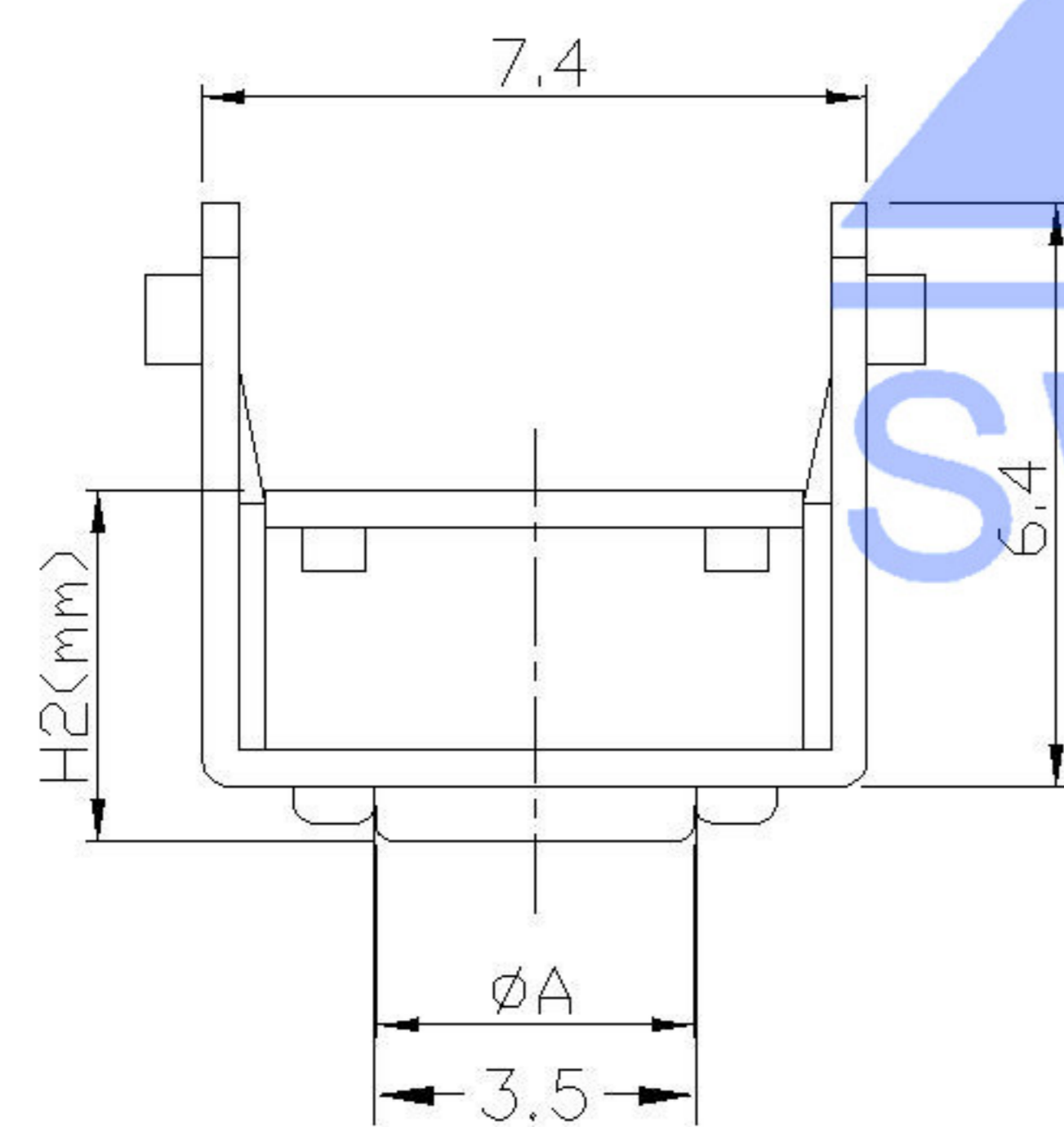


SPECIFICATION

Contact Rating: 50mA, 12V DC
Contact Resistance: 100mΩ max
Insulation Resistance: 100mΩ min. 500V DC
Dielectric Strength: 250V AC/1minute
Travel: 0.25mm
Operating Temp: -30°C ~ +85°C
Storage Temp: -30°C ~ +80°C

H	H1	H2	φA	L
A1	3.15	4.3	3.5	3.7
AS	3.35	4.5	3.5	
A	3.85	5.0	3.5	
AL	4.35	5.5	3.4	
Q	4.85	6.0	3.4	
QL	5.35	6.5	3.4	
B	5.85	7.0	3.4	
E	6.15	7.3	3.4	
EL	6.35	7.5	3.4	
C	6.85	8.0	3.4	
CL	7.35	8.5	3.4	
DS	7.85	9.0	3.4	
D	8.35	9.5	3.4	
DL	8.85	10.0	3.0	
KS	9.35	10.5	3.0	
K	9.85	11.0	3.0	
KL	10.35	11.5	3.0	
FS	10.85	12.0	3.0	
F	11.35	12.5	3.0	
FL	11.85	13.0	3.0	
G	12.35	13.5	3.0	
Q	12.85	14.0	3.0	
X	13.35	14.5	3.0	
Y	13.85	15.0	3.0	
Z	14.85	16.0	3.0	
J	15.15	16.3	3.0	
I	15.85	17.0	3.0	

P.C.B MOUNTING PATTERN DIMENSION
 The following soldering patterns are recommended for reflow soldering



PAPT NO	TC-1102N-X-X-X
Operating Force	A: 100gf B: 160gf C: 260gf
Height	H
color	B: Black BR: Brown R: Red O: Orange G: Green Y: Yellow BL: Blue W: White

ITEM	PAPT NAMF	TER,NO	QTY	MATERIAL	FINISHING	REMARK
⑤	Terminal	—	2	Brass (0.30t)	Plating silvering	—
④	Contact	—	1	F.ag/Sus	Natural	—
③	Base	—	1	Ppa		—
②	Cover	—	1	Spcc	Plating Nickel	—
①	Keystake	—	1	Ppa		—

DSND		DATE		SCALE: N/A	MODEL TYPE: TACT SWITCH
DWN		DATE		VIEW:	PART NO.:
CHKD		DATE		UNIT: mm	DWG NO.:
APPD		DATE		SIZE: A4	TC-1102N-X-X-X
UNSPECIFIED TOLERANCES				XKB INDUSTRIAL PRECISION CO., LIMITED	WEIGHT 1.0g
					SHEET 1/1
					REVISION A0

MARK	DESCRIPTION	DATE	REVISED	APPROVED
ΔX				
ΔX				
ΔX				