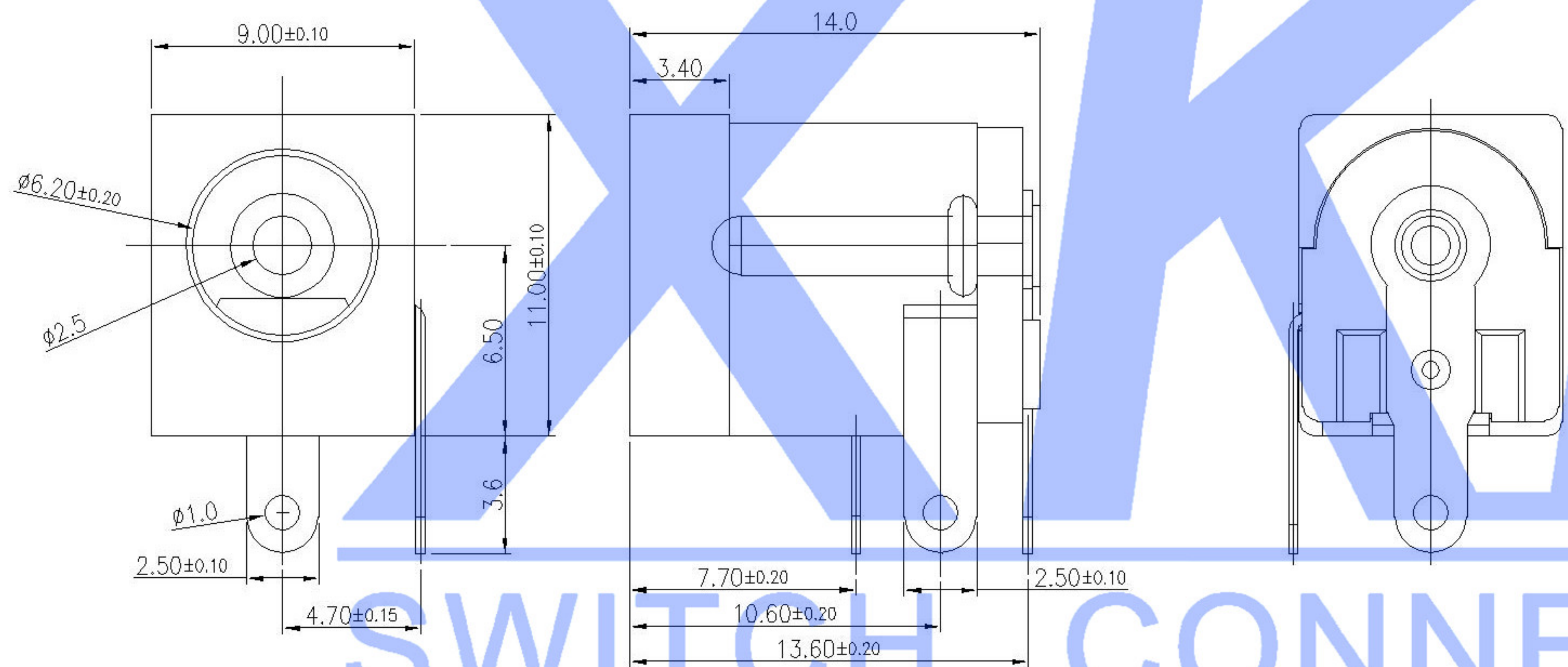
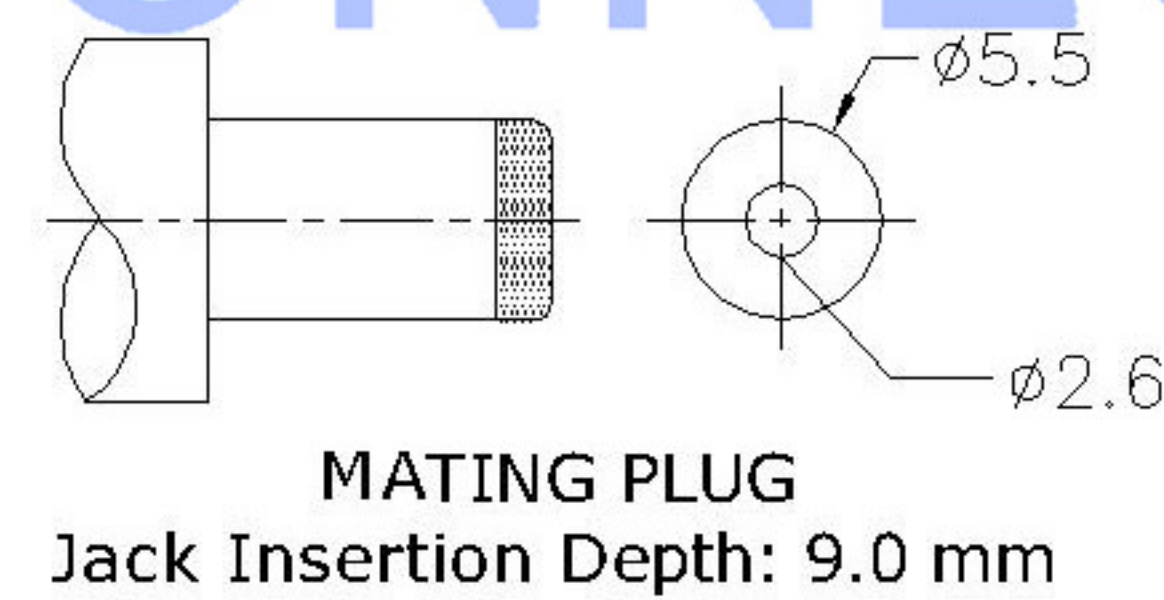


- SPECIFICATIONS:
- ELECTRICAL CHARACTERISTICS:
 - RATING:
 - CONTACT RESISTANCE: 30mΩ MAX.(INITIAL)
 - DIELECTRIC WITHSTANDING VOLTAGE: 500V AC FOR ONE MINUTE
 - INSULATION RESISTANCE: 100MΩ MIN. MEASURED BY 500V DC
 - MECHANICAL CHARACTERISTICS:
 - INSERTION FORCE : 0.3~3.0 KGF
 - WITHDRAWAL FORCE : 0.3~3.0 KGF
 - LIFE TEST: 5,000 CYCLES MIN.
 - FOR REFLOW SOLDERING LEAD-FREE PROCESS.
 - REPRESENT CRITICAL DIMENSIONS.



| | |
|------------|--------|
| Schematic | |
| Model | DC-005 |
| Center Pin | 2.0 |
| | 2.5 |
| | 3.0 |



| | MATERIAL | PLATING |
|------------|-----------------|---------|
| center pin | Brass | silver |
| terminal 1 | Brass | silver |
| terminal 2 | Phosphor Bronze | silver |
| terminal 3 | Brass | silver |
| plastic | Pbt | |

| MARK | DESCRIPTION | DATE | REVISED | APPROVED | UNSPECIFIED TOLERANCES | DSND | DATE | SCALE: N/A | MODEL TYPE: DC POWER JACK |
|------|-------------|------|---------|----------|------------------------|--------------------------------------|------|------------|------------------------------|
| ΔX | | | | | ANGLAR ±5° | DWN | DATE | VIEW: | PART NO.: |
| ΔX | | | | | X.X ±0.2mm | CHKD | DATE | UNIT: mm | DWG NO.: |
| ΔX | | | | | X.XX ±0.1mm | APPD | DATE | SIZE: A4 | DC-005-5A-2.5 |
| | | | | | X.XXX ±0.05mm | XKB INDUSTRIAL PRECISION CO.,LIMITED | | | WEIGHT 1.0g |
| | | | | | | | | | SHEET 1/1 |
| | | | | | | | | | REVISION A0 |